

**HUGEROCK**

# **X7 RUGGED TABLET QUICK START GUIDE**



[www.soten.com.cn](http://www.soten.com.cn)

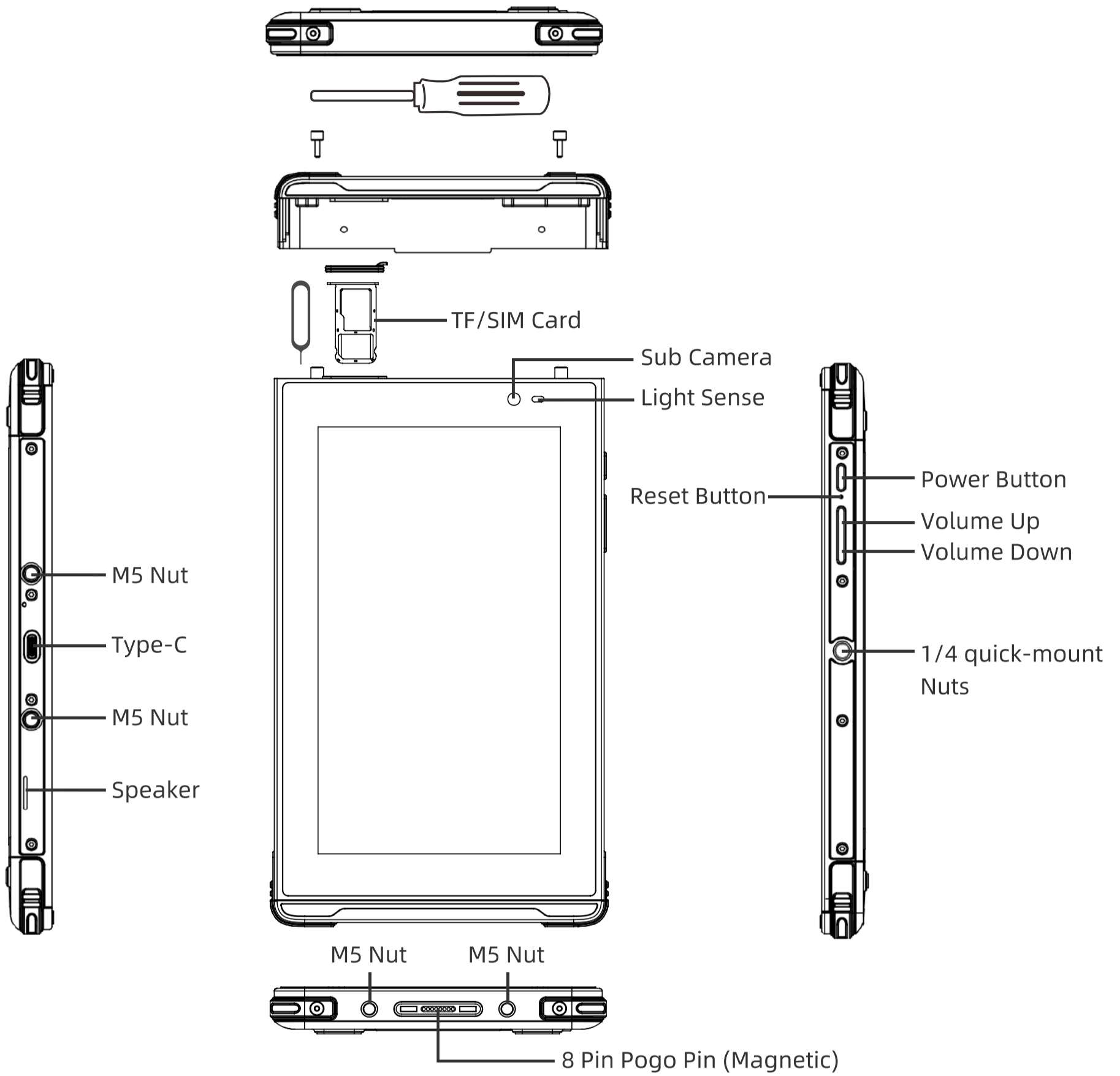
# Manual

## Please read the instructions first.

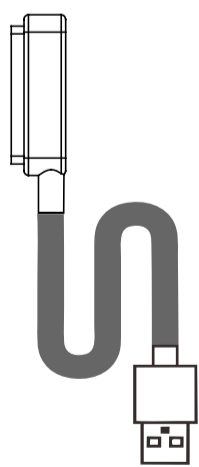
Thank you for using our rugged tablet, which is built on the basis of Google Android operating system.

- Please read all safety precautions and this manual carefully before using the device to ensure safety and correct use.
- The description in this manual is based on the Default Setting of the device.
- The images and screenshots used in this manual may differ from the actual appearance of the product.
- The contents of this manual may differ from the product, service provider or software provided by service provider. Subject to change without prior notice.
- Available features and additional services may vary by device, software or service provider.
- The format and information in this manual are based on the Google Android operating system, which may be different.
- Applications and their functions may vary by country, region, or hardware specification. We are not responsible for performance issues caused by third party applications.
- We are not responsible for performance issues or incompatibilities caused by editing registry Settings of customers.
- The sound sources, wallpapers and images provided in this equipment are licensed for limited use by us and their respective owners. The use of these materials for commercial or other purposes is a violation of copyright law. We are not liable for such copyright infringement by our users.
- Additional charges may be incurred for sending and receiving messages, uploading and downloading, automatic synchronization or using location services. To avoid the additional charges, choose the right data charging plan. Contact your service provider for more information.
- Please keep this manual for future reference.

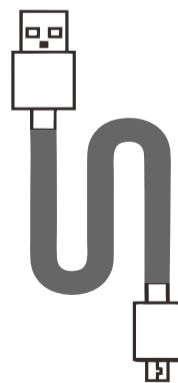
Comes with the Google™ app and Google Chrome™  
Android is a trademark of Google LLC



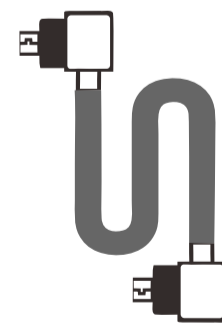
# Accessories



Magnetic Charging Cable

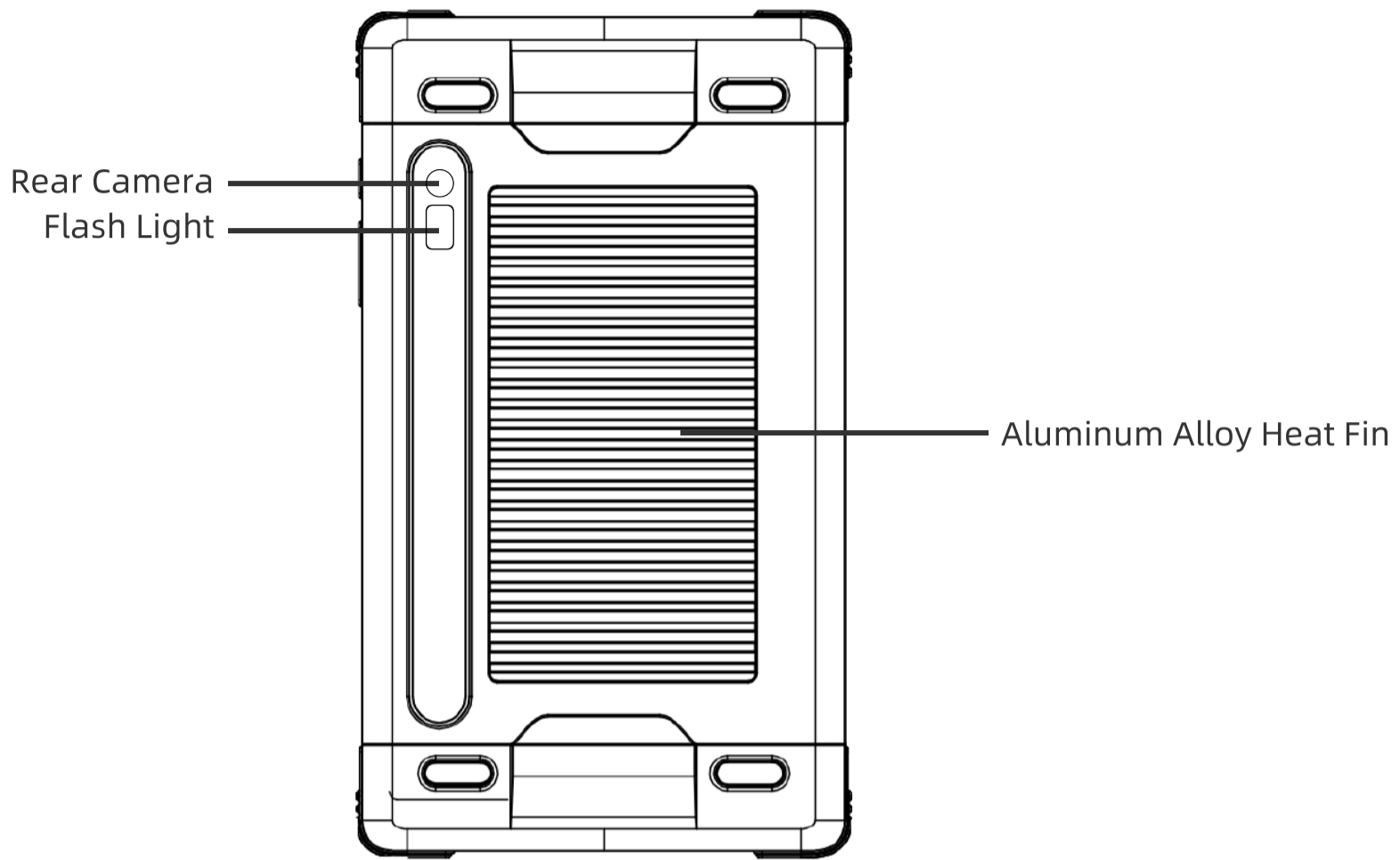


Type-C Cable



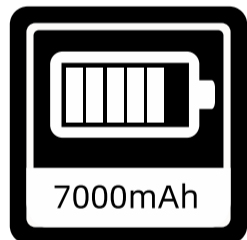
Flight Controller Data Cable

Comes with the Google™ app and Google Chrome™  
 Android is a trademark of Google LLC

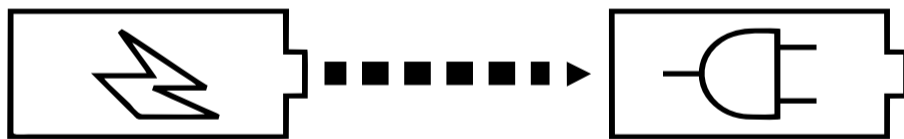


## Battery

The device has a built-in battery, you can track your battery using the icon displayed at the top right of the screen.



Polymer Battery



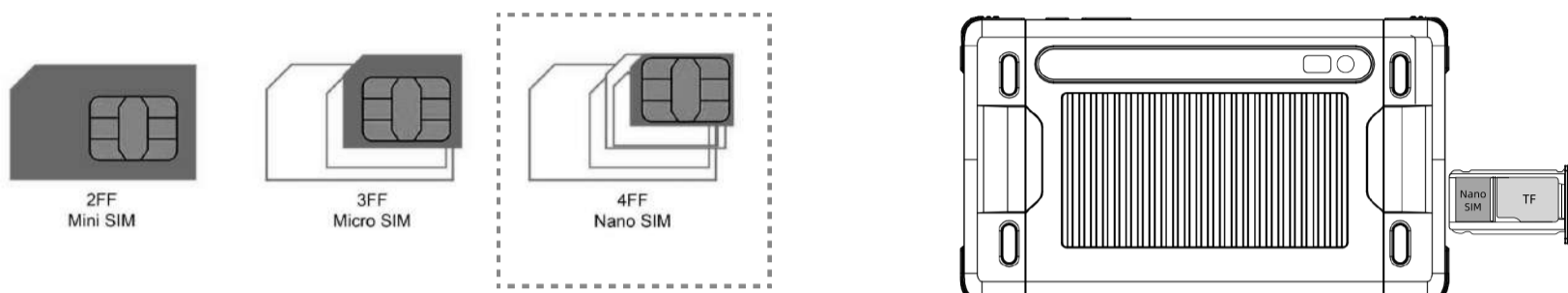
## Warning

- Use only safety-certified battery designed specifically for your device,
- Battery incompatibility can cause serious injury or damage to the device,
- Never place battery or device on heating equipment s such as microwave ovens, stoves or radiators. An overheated battery may cause an explosion.

Comes with the Google™ app and Google Chrome™  
Android is a trademark of Google LLC

# 1 How to insert the card

For more comprehensive protection of SIM card, the product uses a built-in SIM card slot design to prevent damage. The card slot should always be inserted or removed after the power is turned off. This machine uses Nano SIM card, please be sure to confirm before inserting the card. In particular, the expansion storage TF card must be installed in the shutdown state, otherwise it may cause system problems.



Power off the device, use the provided screwdriver to open the protective card cover, insert the SIM card pin into the small hole of the card slot to remove the tray, place the Nano SIM card and TF storage card ensuring the angled corner aligns with the slot's angled corner, then push the tray back in.

# 2 How to boot

- A non-removable battery is installed inside the device,
- Long press the power button for 3-5 seconds to start.

# 3 How to send SMS, MMS

## SMS

- Open the SMS app,
- Select new information,
- Enter your phone number or browse your contacts,
- Select edit information and enter your text,
- Send. ➤

## MMS

- When writing text messages, choose to add images, videos or other files you want to add, or even take new photos or videos right away,
- Select or send. ➤

Comes with the Google™ app and Google Chrome™  
Android is a trademark of Google LLC

## 4 Language switching settings

- Main menu --settings-system setting--language and input method,
- Language and input method--language--language adding,
- Select the language you need,the system will automatically,
- Jump back to the language interface,
- Select the icon after the language bar and drag it to the first one.

## 5 Safety

- The maximum electromagnetic radiation absorption ratio(SAR) of this product is <math><2.0\text{W/kg}</math>,
- In line with the requirements of the national standard:  
EN 50360:2017; EN 50566:2017; EN62209-1:2016;  
EN 62209-2:2010; EN 62479:2010.

## 6 SAR

**To ensure safe use of the product,  
you must strictly abide by the following rules.**

- The device should be at least 15 cm away from any medical implant or adjuster and should never be carried in your coat pocket.
- Don't expose this device and other batteries to high-temperature or heating equipments such as sunlight, heaters, microwaves, ovens or water heaters. An overheated battery may cause an explosion.
- When charging is complete or not, the charger should be disconnected from the device and removed from the power outlet. Don't charge the device in an explosive environment.
- The device is equipped with a non-removable battery. Don't replace the battery by yourself to avoid damaging the battery or the device.
- Use of unapproved or incompatible power supplies, chargers or batteries may cause fire, explosion or other hazards. We are not responsible for any accident caused by non-standard charging equipment.
- Don't drop, crush, scratch, or pierce the battery. Otherwise, it may be subjected to excessive external pressure, resulting in internal short circuit and overheating.
- Don't remove or reset the battery, insert other objects and soak in water or other liquids.

Comes with the Google™ app and Google Chrome™  
Android is a trademark of Google LLC

## 7 Precautions for battery maintenance

- When the device is not in use for a long time, the battery capacity shall not be lower than 80%, especially when it is stored in low temperature in winter, and a complete charge and discharge shall be carried out once a month.
- When the battery is lower than 30%, charge it in time. The charging time is generally 4-8 hours. When the charger is not in use, remove it from the power socket.
- Don't connect a permanently charged battery to a charger, as overcharging can shorten battery life. Please handle the device gently when charging and wiring data transmission. Don't operate the device at this time except under special circumstances to avoid short circuit of the socket and damage to the control chip.
- Don't charge the device in a damp, flammable or explosive environment. Reasonable charge and discharge can prolong battery life.
- It is best to complete 3 complete charge and discharge cycles before use.

## 8 Additional notes

- Fully understand the maintenance of the device to use it more safely and efficiently, and extend the service life of the device as far as possible.
- Please follow the instructions in the manual to open the device, remove the accessories, and don't try other methods.
- Please avoid falling, knocking or shaking the device. Rough handling of the device can cause the screen to crack, damaging internal circuit boards and fine construction.
- Don't use chemical solvents or detergents to clean your device. Wipe the case with a soft cotton cloth with water or mild soap.
- Clean lenses (e.g. camera lenses and screens) with a clean, dry and soft cloth.
- If you encounter abnormal malfunctions such as collisions during use and cannot use normally, please follow the steps below to troubleshoot: Press the reset button, and the device will force restart (unlock during restart) to resolve general issues.
- The touch screen of the device can be used normally in air and fog environment, but the sensitivity will be reduced in rain and snow environment.
- Don't use the device in heavy rain or snow except under special circumstances.
- After using the device in rainy or snowy weather, remove water on the surface and dry it in a cool place.
- In a strong light working environment, change the automatic brightness adjustment to manual brightness adjustment and maximum brightness adjustment. After the maximum brightness adjustment, there will be obvious heating and the working life will be significantly shortened. Please adjust the brightness of the display properly.
- Standard packaging of this product ( Rugged Tablet/ Type-C Data Cable/ Flight Controller Data Cable/ Magnetic Charging Cable/ Introduction manual/ Screen protector/ Precautions Card ).

Comes with the Google™ app and Google Chrome™  
 Android is a trademark of Google LLC

# 9 Declaration of conformity

## CE

- Use the Rugged tablet in the environment with the temperature between 0°C and 35°C, otherwise, it may damage your Rugged tablet. It can be operating under 2000m.



- Declaration of conformity

· Hereby, SOTEN TECHNOLOGY (HONGKONG) CO., LIMITED declare that the radio equipment type Rugged tablet is compliance with Directive 2014/53/EU.

The product shall only be connected to a USB interface of version USB2.0 or higher and that the connection to a power USB is prohibited.

For this device, Body SAR was performed with the device configured in the positions according to EN IEC/IEEE 62209-1528:2021, and Body SAR was performed with the device 0mm from the phantom.

For EU:

Operating Frequency Range	The maximum RF Output Power
GSM 850 / 900 / 1800 / 1900	Max. 2W / Max.1W
UTRA FDD Band I / VIII	0.25W
E-UTRA FDD Band 1 / 3 / 7 / 20	0.2 W
Bluetooth 2402 - 2480 MHz	4.97 dBm EIRP
WiFi 2412 - 2472 MHz	17.20 dBm EIRP
GPS 1575.42 MHz	/
GLONASS 1602 MHz	/
BDS1561.098 MHz	/

Comes with the Google™ app and Google Chrome™  
 Android is a trademark of Google LLC



## FCC

NOTE: This equipment has been tested and found to comply with the limits for a Class B digital device, pursuant to part 15 of the FCC Rules. These limits are designed to provide reasonable protection against harmful interference in a residential installation. This equipment generates, uses and can radiate radio frequency energy and, if not installed and used in accordance with the instructions, may cause harmful interference to radio communications. However, there is no guarantee that interference will not occur in a particular installation. If this equipment does cause harmful interference to radio or television reception, which can be determined by turning the equipment off and on, the user is encouraged to try to correct the interference by one or more of the following measures:

- Reorient or relocate the receiving antenna.
- Increase the separation between the equipment and receiver.
- Connect the equipment into an outlet on a circuit different from that to which the receiver is connected.
- Consult the dealer or an experienced radio/TV technician for help.

Changes or modifications not expressly approved by the party responsible for compliance could void the user's authority to operate the equipment.

This device complies with Part 15 of the FCC Rules. Operation is subject to the following two conditions:

(1) this device may not cause harmful interference, and (2) this device must accept any interference received, including interference that may cause undesired operation.

### RF Exposure Information:

- FCC RF Exposure requirements: The highest SAR value reported under this standard during product certification for use next to the Body with the minimum separation distance of 0mm. This transmitter must not be collocated or operating in conjunction with any other antenna or transmitter.
- This product is compliance to FCC RF Exposure requirements and refers to FCC website <https://apps.fcc.gov/oetcf/eas/reports/GenericSearch.cfm> search for FCC ID: 2A162-X7.

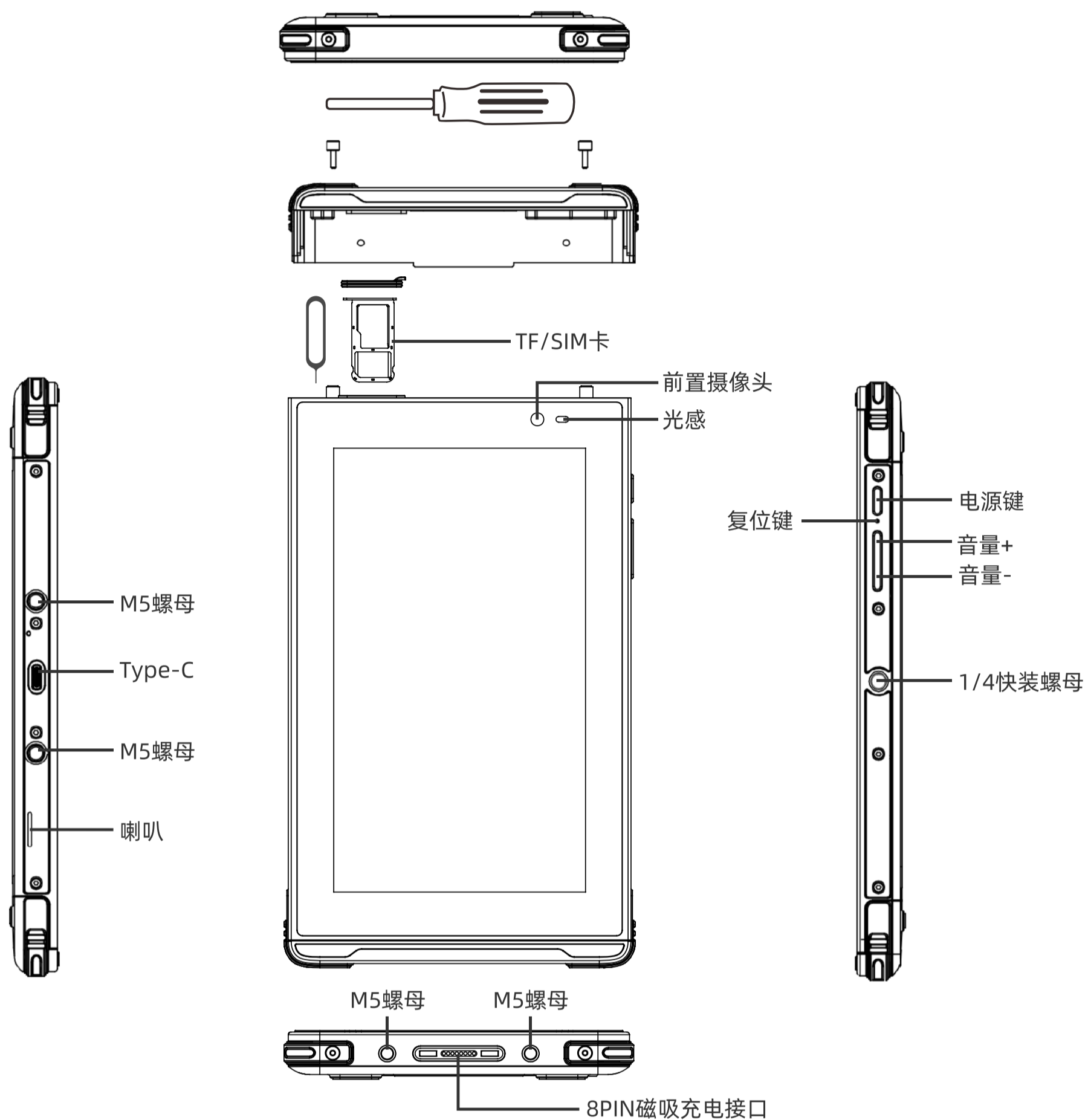
Comes with the Google™ app and Google Chrome™  
Android is a trademark of Google LLC

# 使用本手册

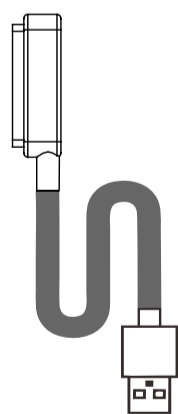
## 请先阅读说明文件

感谢您使用我司的加固平板电脑，此平板电脑构建在Google Android操作系统基础之上。

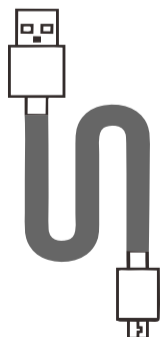
- 使用设备之前，请先仔细阅读全部安全注意事项和本说明书，以确保安全和正确使用。
- 本说明书中的描述基于设备的默认设定。
- 本说明书中所用的图像和屏幕截图可能与实际产品的外观不同。
- 本说明书的内容可能与产品不同，也可能与服务提供商或服务商提供的软件不同。如有变更，恕不另行通知。
- 可用功能和附加服务可能因设备、软件或服务提供商而异。
- 本使用说明书的格式和资讯基于Google Android操作系统，用户使用的操作系统可能与之有所不同。
- 应用程序及其功能可能因国家、地区或硬件规格而异。我方对由第三方应用程序导致的性能问题概不负责。
- 我方对有客户编辑注册表设置而导致的性能问题或不兼容问题概不负责。
- 本设备中提供的声源、壁纸和图像被许可在我方及其各自所有人之间有限使用。将这些资料引用并适用于商业或其他用途，是违反版权法的行为。我方对用户的此类版权侵权行为概不负责。
- 收发信息、上传和下载、进行自动同步或使用定位服务可能会产生其他费用。如欲避免产生额外费用，请选择合适的数据收费计划。有关详细信息，请联系服务提供商。
- 请妥善保存本说明书以供日后参考。



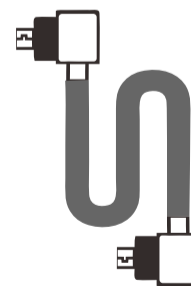
# 配件



磁吸充电线

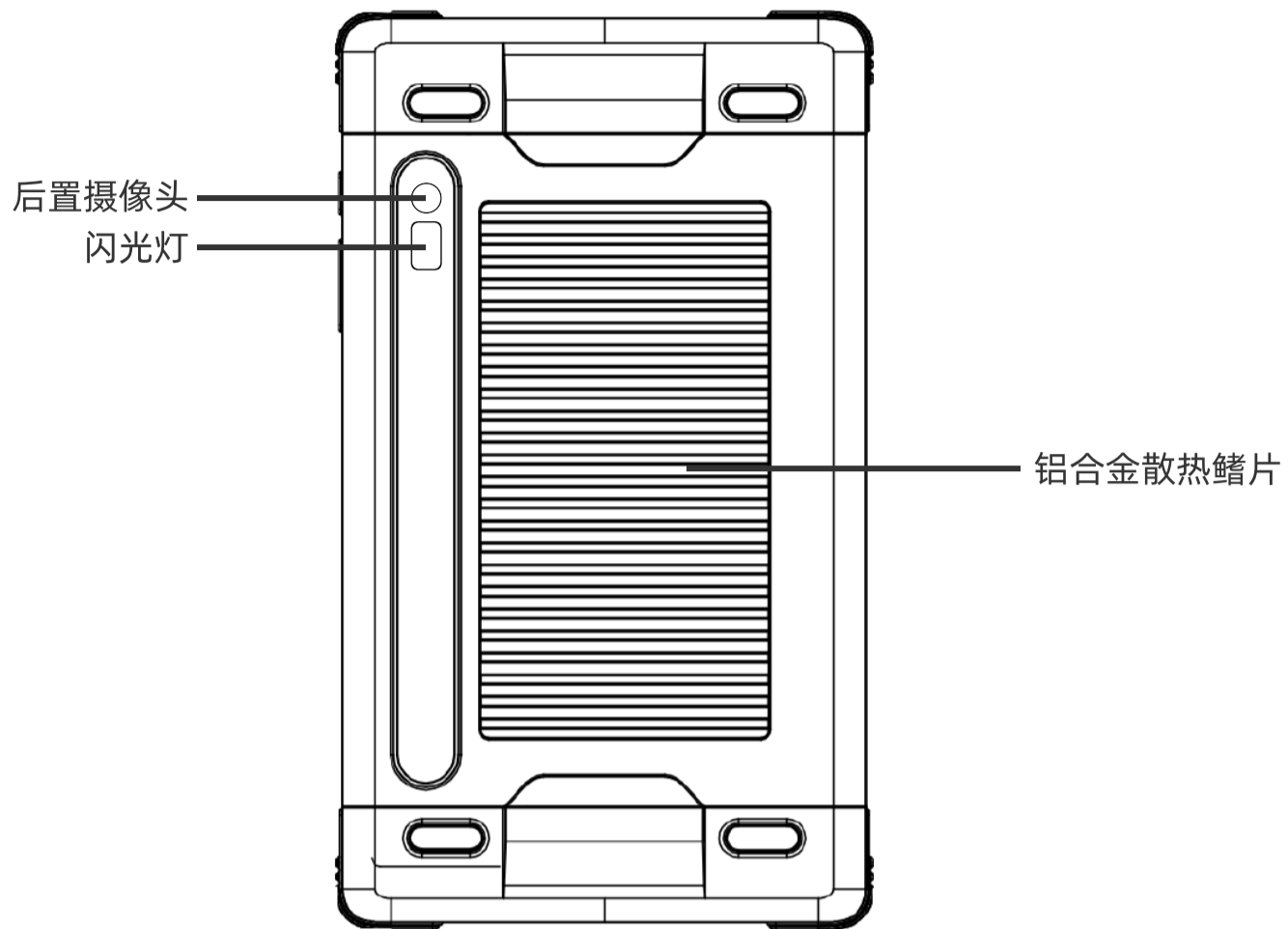


Type-C 数据线



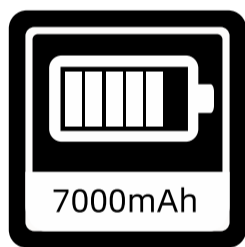
飞控数据线

随附 Google™ 应用程序和 Google Chrome™  
 Android 是 Google LLC 的商标

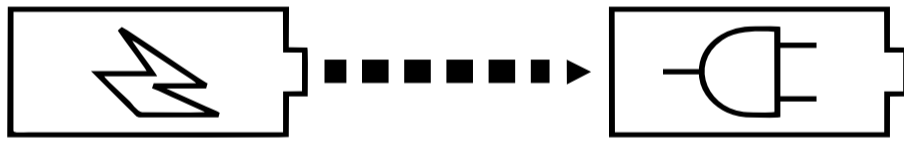


## 电池

设备有一个内置电池，你可以通过屏幕右上方显示的图标来跟踪你的电池。



锂聚合物电池



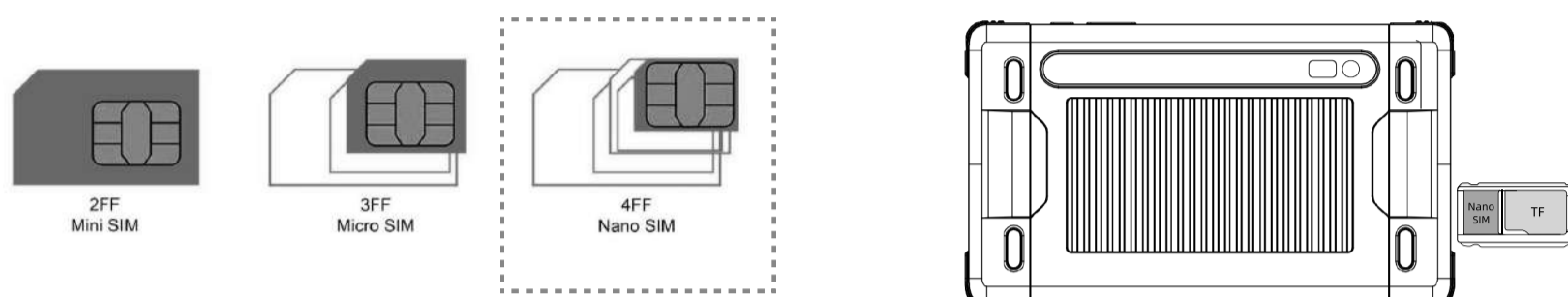
## 警告

- 只使用专门为你的设备设计的经过安全认证的电池；
- 电池不兼容会导致设备遭受严重伤害或损坏；
- 千万不要将电池或设备放在微波炉、炉灶或散热器等加热设备上。电池过热时可能会爆炸。

随附 Google™ 应用程序和 Google Chrome™  
Android 是 Google LLC 的商标

# ① 如何插入SIM卡和TF存储卡

为更全面的保护SIM卡，本产品采用内藏式SIM卡槽设计，防止SIM卡损坏，应始终在关闭电源后再插入或去除该卡槽。本机采用Nano SIM卡，插卡前请务必确认。特别是安装扩展存储TF卡时必须是在关机状态，否则有可能导致系统问题。



关闭电源，用配备的螺丝刀打开防护卡盖，用SIM卡针插入卡槽小孔，取出卡槽，放置 Nano SIM卡和TF存储卡，确保斜角与卡槽的斜角对齐，推回卡槽。

# ② 如何启动

- 设备内部安装的是不可拆卸的电池；
- 长按电源键3-5秒即可启动。

# ③ 如何发送短信、彩信

## 短信

- 打开短信应用程序；
- 选择新信息；
- 输入电话号码或浏览您的联系人；
- 选择编辑信息并输入您的文本；
- 发送。 ➤

## 彩信

- 写短信时；
- 选择添加您想要添加的图像、视频或其他文件，甚至您可以立即拍摄新照片或视频；
- 选择或发送。 ➤

## ④ 语言切换设置

- 主菜单-设置-系统设置-语言和输入法;
- 语言和输入法-语言-语言添加;
- 选择你需要的语言,系统会自动跳回语言界面;
- 选择语言栏后面的图标,拖到第一个。

## ⑤ 电磁特性

- 最大电磁辐射吸收比(SAR),本产品 $<2.0\text{W/kg}$ ;
- 符合国标要求:  
EN 50360:2017; EN 50566:2017; EN62209-1:2016;  
EN 62209-2:2010; EN 62479:2010。

## ⑥ 安全

### 为了确保安全使用产品,您必须严格遵守以下规则

- 本设备应该距离任何医疗植入物或调节器至少15厘米,并且永远不要把设备放在你的外套口袋里。
- 请勿将该设备和其他电池与高温或发热设备,如阳光、加热器、微波炉、烤箱或热水器一起暴露,电池过热会引起爆炸。
- 当充电完成或未充电时,应当从设备上断开充电器,并从电源插座上拔出充电器。请勿在爆炸环境下给设备充电。
- 该设备配备了不可拆卸的电池,请不要自己更换电池,以避免损坏电池或设备。
- 使用未经批准或不兼容的电源、充电器或电池可能会引起火灾、爆炸或其他危险。因非标相关充电设备造成的事故,本公司不承担责任。
- 不要掉落、压碎、刮伤或刺穿电池,以免使电池受到过度的外部压力,导致电池内部短路和过热。
- 不要拆卸或重置电池,插入其他物体,浸没在水或其他液体。

## 7 电池维护特别注意事项

- 设备长时间存放不使用情况下电池电量不低于80%，特别是在冬季低温条件下存放，每月需要进行一次完整的充放电。
- 电池电量低于30%时请及时充电。充电时间一般为4-8小时，当充电器不使用时，请从电源插座上拔下。
- 请勿将长期充满电的电池连接到充电器上，因为过度充电会缩短电池寿命。充电及接线传输数据时请轻拿轻放设备，非特殊情况请勿在此时操作设备，以免造成插口短路及控制芯片损毁。
- 禁止在潮湿、易燃、易爆环境下对设备充电。合理的充放电可以延长电池寿命。
- 使用前最好能完成3次完整的充放电循环。

## 8 其他注意事项

- 全面了解设备的维护情况，以更安全有效地使用设备，并尽可能延长设备的使用寿命。
- 请按照手册中的说明打开设备，拆下配件，不要尝试其他方法。
- 请避免摔倒、敲打或摇晃设备。对设备的粗暴操作可能会导致屏幕破裂，损坏内部电路板和精细的结构。
- 不要使用化学溶剂或洗涤剂来清洁你的设备。用柔软的带有水或温和肥皂的棉布擦拭外壳。
- 用干净、干燥、柔软的布清洁镜片（例如：相机镜头和屏幕）。
- 如果在使用过程中遇到碰撞等异常故障不能正常使用，处理方法如下：请按下重置按钮，设备将强制重启（重启时解锁）可以解决一般问题。
- 本设备触摸屏在气、雾天气环境下可正常使用，但在雨、雪环境下灵敏度会降低。
- 非特殊情况下，请勿在大雨、雪天气环境下使用设备。
- 在雨雪天气环境下使用设备后，清除表面积水，在阴凉处晾干。
- 在强光工作环境下，在设置亮度中将自动调节亮度改为手动调节并调制最亮，在调制最高亮度后会出现明显的发热、工作续航时间明显缩短，请合理调节显示屏亮度。
- 本机器的标准包装（平板电脑，Type-C 数据线，飞控数据线，磁吸充电线，用户手册，屏幕保护膜，注意事项卡）。

## 9 符合性声明

### CE

·在环境温度0°C至35°C之间使用坚固型平板电脑，否则可能会损坏您的坚固型平板电脑。可在海拔2000米以下正常工作。



·符合性声明

·本公司硕腾（香港）科技有限公司特此声明，该坚固型平板电脑的无线电设备类型符合2014/53/EU指令。

·产品应仅连接到版本为USB2.0或更高版本的USB接口，禁止连接到电源USB。

·对于此设备，人体SAR测试按照EN IEC/IEEE 62209-1528:2021标准进行，并且设备与测试模型的距离为0毫米。

对于欧盟：

工作频率范围	最大RF输出功率
GSM 850 / 900 / 1800 / 1900	最大2W / 最大1W
UTRA FDD Band I / VIII	0.25W
E-UTRA FDD Band 1 / 3 / 7 / 20	0.2 W
蓝牙 2402 - 2480 MHz	4.97 dBm EIRP
WiFi 2412 - 2472 MHz	17.20 dBm EIRP
GPS 1575.42 MHz	/
GLONASS 1602 MHz	/
BDS1561.098 MHz	/

随附 Google™ 应用程序和 Google Chrome™  
Android 是 Google LLC 的商标



## FCC

注意：该设备已通过测试，符合FCC规则第15部分规定的B类数字设备限值。这些限值旨在为住宅安装提供合理的有害干扰保护。本设备产生、使用并能辐射射频能量，若未按照说明安装和使用，可能对无线电通讯造成有害干扰。然而，并不能保证在某特定安装中不会发生干扰。如果该设备确实对无线电或电视接收造成有害干扰，您可以通过关闭和开启设备来确定干扰，用户应尝试通过以下一种或多种措施来纠正干扰：

- 重新定向或移动接收天线。
- 增加设备和接收器之间的距离。
- 将设备连接到与接收器不同电路的插座上。
- 咨询经销商或有经验的无线电/电视技术人员以获得帮助。

未经负责合规的相关方明确批准的更改或修改，可能会导致用户无权操作设备。

该设备符合FCC规则第15部分。操作需遵循以下两个条件：

(1) 该设备不得产生有害干扰，且 (2) 该设备必须接受任何干扰，包括可能导致设备运行异常的干扰。

RF暴露信息：

FCC RF暴露要求：在产品认证期间，对于与身体接触的情况下使用，报告的最高SAR值符合此标准，最小分离距离为0mm。该发射器不得与任何其他天线或发射器共同放置或同时操作。

该产品符合FCC RF暴露要求，并参照FCC网站

<https://apps.fcc.gov/oetcf/eas/reports/GenericSearch.cfm>，搜索FCC ID: 2AI62-X7。

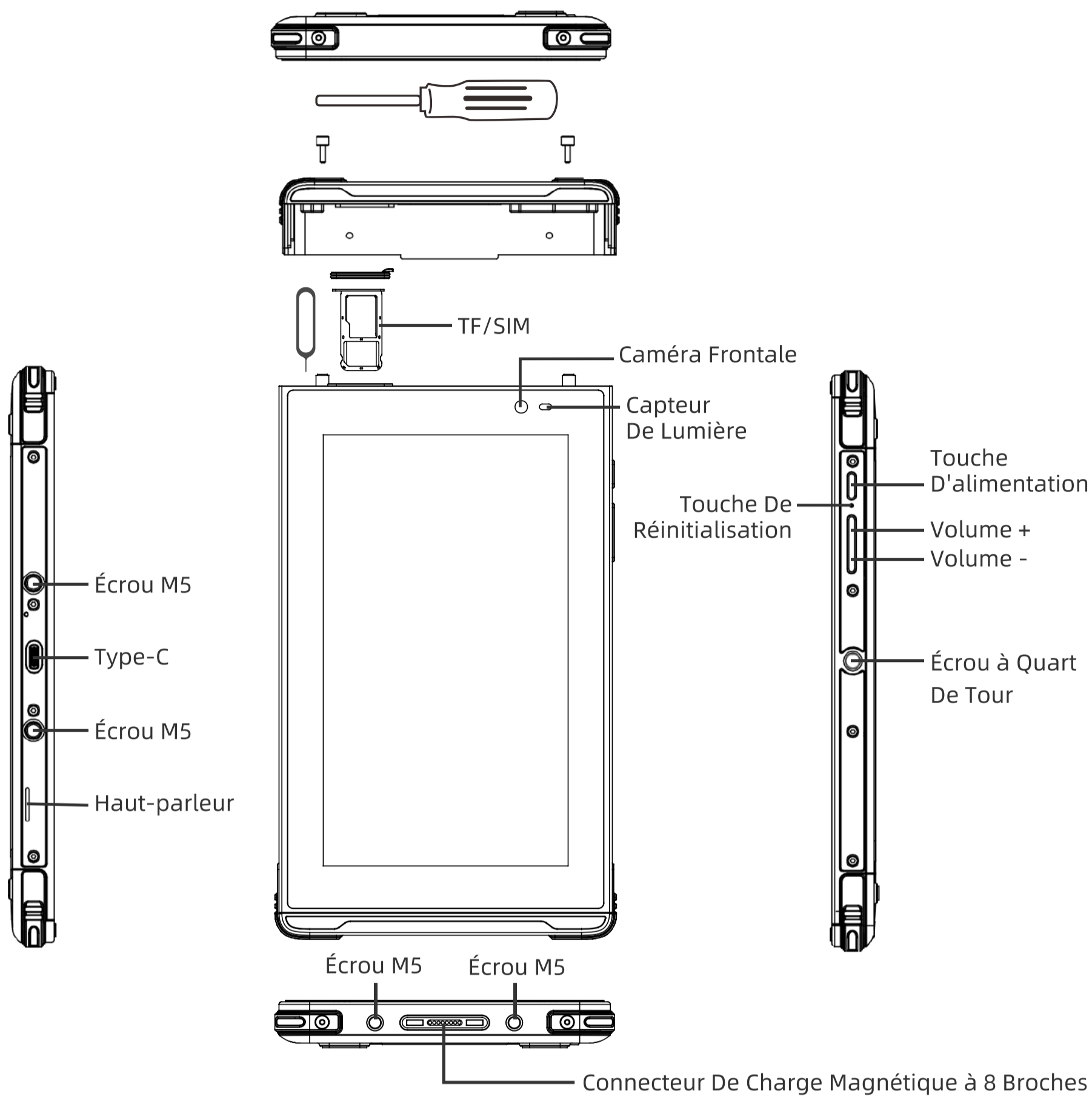
# Utiliser ce manuel

## Veillez lire le fichier d'instructions d'abord.

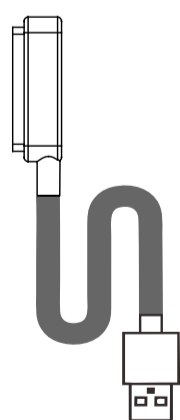
Merci d'utiliser les tablettes renforcées de notre société. Cette tablette est construite sur la base du système d'exploitation Google Android.

- Avant d'utiliser l'appareil, veuillez lire attentivement toutes les consignes de sécurité et ce manuel pour assurer une utilisation sûre et correcte.
- Les descriptions dans ce manuel sont basées sur les paramètres par défaut de l'appareil.
- Les images et captures d'écran utilisées dans ce manuel peuvent différer de l'apparence réelle du produit.
- Le contenu de ce manuel peut différer du produit réel ainsi que des logiciels fournis par les fournisseurs de services. Des modifications peuvent être apportées sans préavis.
- Les fonctionnalités disponibles et les services supplémentaires peuvent varier en fonction de l'appareil, du logiciel et du fournisseur de services.
- Le format et les informations de ce manuel sont basés sur le système d'exploitation Google Android, qui peut différer du système d'exploitation utilisé par l'utilisateur.
- Les applications et leurs fonctionnalités peuvent varier en fonction du pays, de la région ou des spécifications matérielles. Nous ne sommes pas responsables des problèmes de performance causés par des applications tierces.
- Nous ne sommes pas responsables des problèmes de performance ou d'incompatibilité causés par des modifications des paramètres du registre effectuées par les clients.
- Les sources audio, les fonds d'écran et les images fournis dans cet appareil sont autorisés à un usage limité entre nous et leurs propriétaires respectifs. Citer ou utiliser ces données à des fins commerciales ou autres constitue une violation du droit d'auteur. Nous ne sommes pas responsables des infractions au droit d'auteur commises par les utilisateurs.
- L'envoi et la réception de messages, le téléchargement et le téléversement, la synchronisation automatique ou l'utilisation des services de localisation peuvent entraîner des frais supplémentaires. Pour éviter des frais supplémentaires, veuillez choisir un plan tarifaire adapté aux données. Veuillez contacter votre fournisseur de services pour plus d'informations.
- Veuillez conserver ce manuel précieusement pour référence ultérieure.

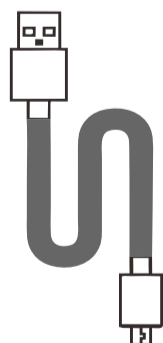
Il est livré avec l'application Google™ et Google Chrome™  
Android est une marque de commerce de Google LLC



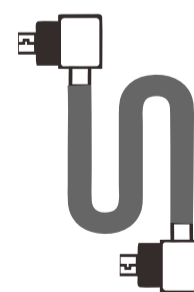
# Accessoires



Câble De Charge Magnétique

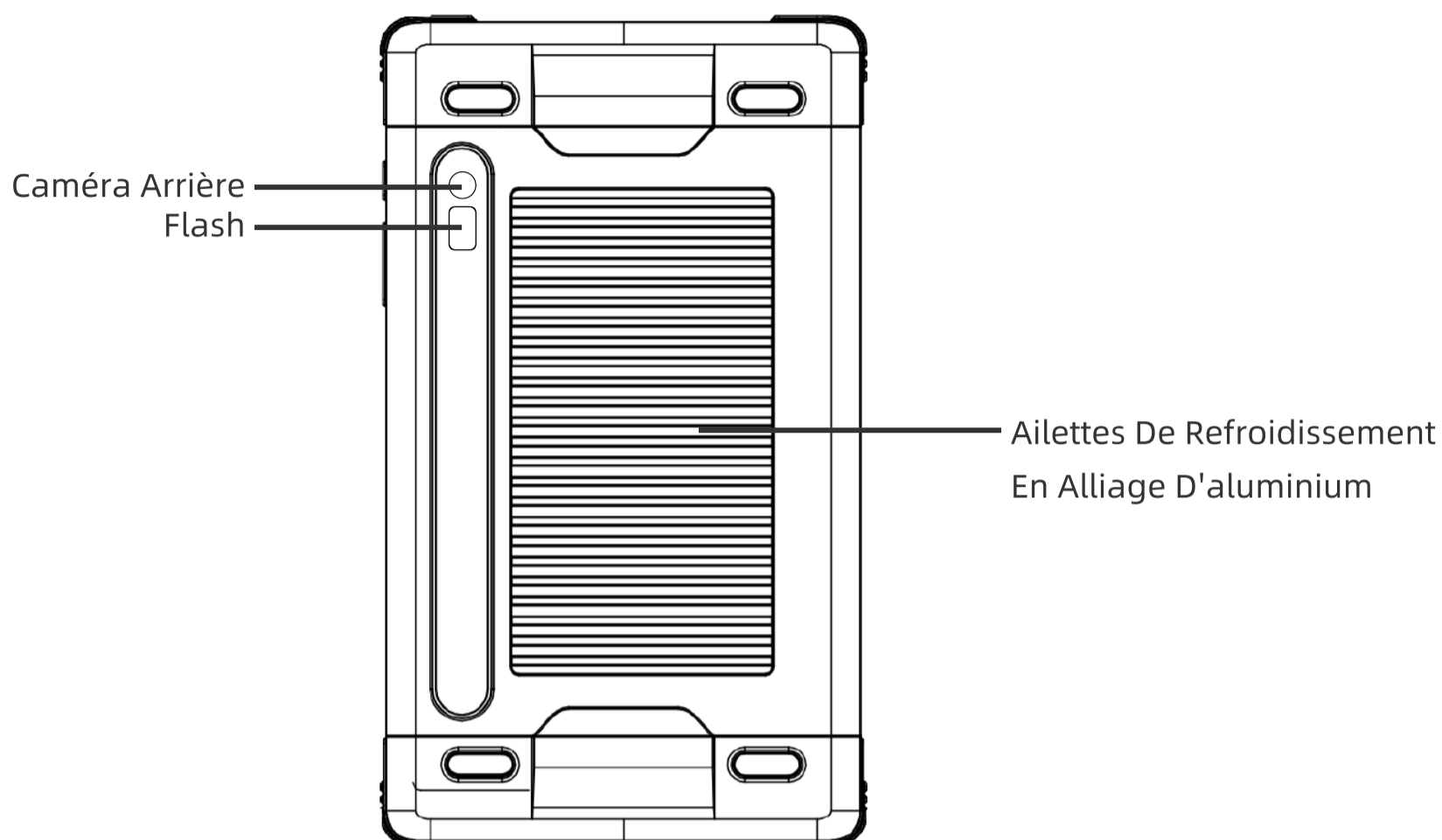


Câble De Données Type-C



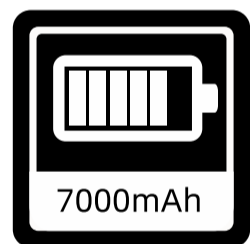
Câble De Données De Contrôle à Distance

Il est livré avec l'application Google™ et Google Chrome™  
Android est une marque de commerce de Google LLC

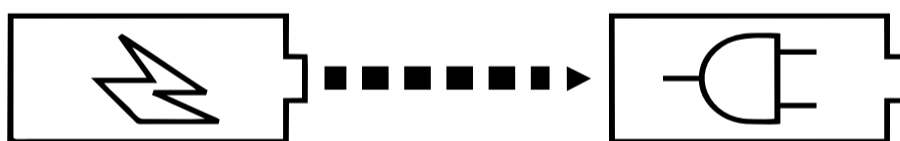


## Akku

Das Gerät besitzt einen eingebauten Akku, Sie können die Akkuladung über das in der oberen rechten Ecke des Bildschirms angezeigte Symbol überwachen.



Batterie Au Polymère  
De Lithium



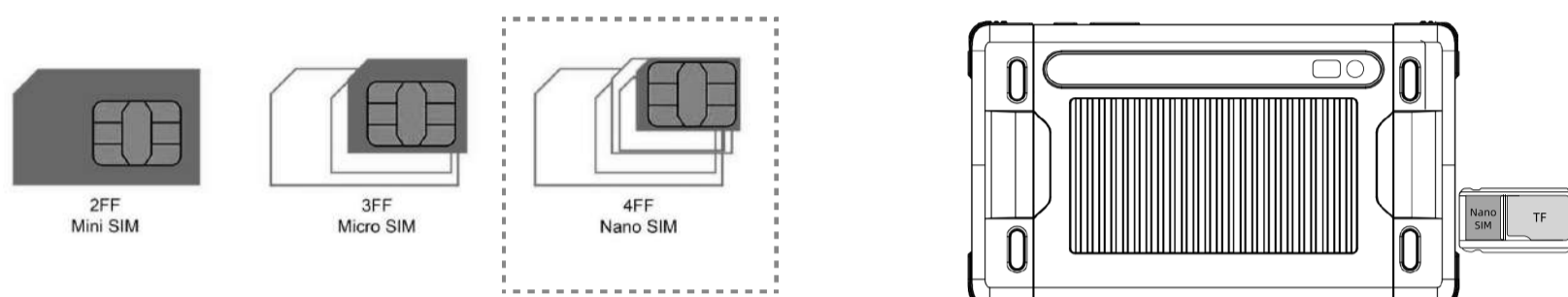
## Avertissement

- Utilisez uniquement une batterie certifiée sécurisée conçue exclusivement pour votre appareil,
- L'utilisation d'une batterie incompatible pourrait endommager gravement ou même détruire l'appareil,
- Ne placez jamais la batterie ou l'appareil sur un appareil de chauffage, comme un four à micro-ondes, un réchaud ou tout autre dispositif de chauffage. La surchauffe de la batterie pourrait provoquer son explosion.

Il est livré avec l'application Google™ et Google Chrome™  
Android est une marque de commerce de Google LLC

# 1 Comment insérer la carte SIM Et la carte de stockage TF

Pour une protection plus complète de la carte SIM, ce produit est équipé d'un logement SIM intégré pour empêcher la carte SIM d'être endommagée. Vous devez toujours l'insérer ou l'enlever lorsque l'alimentation est éteinte. Cet appareil prend en charge la carte Nano SIM, assurez-vous de le vérifier avant de le mettre en place. Surtout, lors de l'installation de l'extension de stockage TF, le téléphone doit être éteint, sinon il peut provoquer des problèmes système.



Éteignez l'appareil, utilisez le tournevis fourni pour ouvrir le cache de protection de la carte, insérez l'aiguille SIM dans le petit trou du support de carte, retirez le support de carte, placez la carte Nano SIM et la carte mémoire TF, assurez-vous que les bords biseautés sont alignés avec ceux du support de carte, puis repoussez le support de carte.

## 2 Comment démarrer

- L'appareil est équipé d'une batterie intégrée et non amovible,
- Appuyer et maintenir le bouton d'alimentation pendant 3 à 5 secondes pour lancer l'appareil.

## 3 Cómo enviar SMS, MMS

### SMS

- Ouvrir l'application de messages,
- Choisir Nouveau message,
- Entrer un numéro de téléphone ou naviguer dans vos contacts,
- Sélectionner Éditer le message et saisir votre texte,
- Envoyer. ➤

### MMS

- Lors de l'envoi de messages,
- Sélectionnez l'image, la vidéo ou tout autre fichier que vous souhaitez ajouter, ou même prenez une photo ou une vidéo instantanément,
- Sélectionnez ou envoyez. ➤

Il est livré avec l'application Google™ et Google Chrome™  
Android est une marque de commerce de Google LLC

## ④ Changement de langue

- Menu principal - Paramètres - Paramètres système - Langue et méthode d'entrée
- Langue et méthode d'entrée - Langue - Ajouter une langue,
- Choisissez la langue dont vous avez besoin, le système reviendra automatiquement à la page de langue,
- Sélectionnez l'icône à côté de la barre de langue et faites-la glisser vers le premier.

## ⑤ Seguridad

- Rapport d'absorption spécifique (SAR) maximum Ce produit <2.0W / kg,
- Conforme aux normes nationales:  
EN 50360:2017; EN 50566:2017; EN62209-1:2016;  
EN 62209-2:2010; EN 62479:2010.

## ⑥ Sécurité

**Pour garantir une utilisation sécuritaire du produit, vous devez strictement respecter les règles suivantes.**

- Cet appareil doit être situé à au moins 15 cm de tout dispositif médical implanté ou régulateur et ne doit jamais être placé dans la poche de votre veste.
- Ne pas exposer cet appareil et toute autre pile à une chaleur ou à un appareil chauffant, tel que le soleil, un radiateur, un four à micro-ondes, un four à chaleur tournante ou un chauffe-eau. Une surchauffe de la pile peut provoquer une explosion.
- Débranchez le chargeur de l'appareil lorsque la charge est terminée ou non effectuée, et débranchez le chargeur de la prise électrique. Ne chargez pas l'appareil dans un environnement explosif.
- L'appareil est équipé d'une pile non amovible. N'essayez pas de remplacer la pile vous-même afin d'éviter d'endommager la pile ou l'appareil.
- L'utilisation de sources d'alimentation, chargeurs ou piles non autorisés ou non compatibles peut provoquer un incendie, une explosion ou d'autres dangers. La société décline toute responsabilité en cas d'accidents dus à des chargeurs non conformes. Ne laissez pas tomber, écraser, griffer ou percer la pile pour éviter d'exercer une pression excessive sur la pile, ce qui peut provoquer un court-circuit et une surchauffe à l'intérieur de la pile.
- Ne démontez pas ni réinitialisez la pile, ne l'insérez pas dans d'autres objets, ne l'immergez pas dans l'eau ou dans d'autres liquides.

Il est livré avec l'application Google™ et Google Chrome™  
Android est une marque de commerce de Google LLC

## 7 Précautions particulières pour l'entretien de la batterie

- Lorsque le matériel est stocké pendant de longues périodes sans être utilisé, assurez-vous que la charge de la batterie ne est pas inférieure à 80%, en particulier lorsque stocker dans les conditions de basse température en hiver. Une charge complète et une décharge complète sont nécessaires une fois par mois.
- Si la charge de la batterie est inférieure à 30%, rechargez-la immédiatement. Le temps de charge est généralement de 4 à 8 heures. Ne pas laisser le chargeur branché à la source d'alimentation lorsqu'il n'est pas utilisé.
- Ne pas connecter la batterie à un chargeur lorsqu'elle est complètement chargée, car une surcharge prolongée peut réduire la durée de vie de la batterie. Manipulez et connectez le matériel avec précaution lors du chargement et de la transmission des données, et n'utilisez pas l'appareil à moins que cela ne soit nécessaire, afin d'éviter tout court-circuit des prises et tout dommage au circuit de commande.
- Il est interdit de charger l'appareil dans des environnements humides, inflammables ou explosifs. Une charge et une décharge appropriées peuvent prolonger la durée de vie de la batterie.
- Il est préférable de réaliser trois cycles complets de charge et de décharge avant utilisation.

## 8 Autres considérations à prendre en compte

- Compreender completamente o estado de manutenção do dispositivo para o usar de forma mais segura e eficiente e prolongar a vida útil do dispositivo, se possível.
- Abra o dispositivo conforme as instruções do manual e desmonte os acessórios. Não tente outros métodos.
- Evite cair, bater ou balançar o dispositivo. A manipulação violenta do dispositivo pode resultar em uma tela quebrada, circuitos internos danificados e estruturas finas.
- N'utilisez pas de solvants chimiques ou de détergents pour nettoyer votre équipement. Essuyez le boîtier extérieur avec un chiffon en coton doux humidifié avec de l'eau ou du savon doux.
- Limpe as lentes (por exemplo, lentes de câmara e telas) com um pano limpo, seco e macio.
- En cas de collision ou de dysfonctionnement anormal pendant l'utilisation, procédez comme suit : appuyez sur le bouton de réinitialisation, l'appareil redémarrera de force (déverrouillez-le lors du redémarrage) ce qui peut résoudre les problèmes courants.
- O painel sensível ao toque deste dispositivo pode ser usado normalmente em condições de neblina ou vapor, mas a sensibilidade será reduzida em condições de chuva ou neve.
- Em condições normais, não use o dispositivo em dias de chuva ou neve.
- Após o uso do dispositivo em condições de chuva ou neve, remova a água na superfície e deixe secar em um local fresco.
- Quando trabalhando em um ambiente de forte luz, altere a configuração de brilho da configuração automática para ajuste manual e ajuste ao mais alto. O aquecimento será evidente ao máximo brilho e a duração da operação será significativamente reduzida, portanto, ajuste o brilho da tela de forma razoável.
- L'emballage standard de cet appareil (tablette, câble de données Type-C, câble de données de contrôle de vol, câble de charge magnétique, manuel de l'utilisateur, film de protection d'écran, carte de précautions).

Il est livré avec l'application Google™ et Google Chrome™  
Android est une marque de commerce de Google LLC

# ⑨ Déclaration de conformité

## CE

· Utilisez le tablette robuste entre 0°C et 35°C de température ambiante, sinon votre tablette robuste pourrait être endommagée. Elle peut fonctionner normalement à des altitudes inférieures à 2000 mètres.



- Déclaration de conformité
- Shenzhen Shuoteng (Hong Kong) Technology Co., Ltd. déclare par la présente que le type d'équipement radio de ce tablette robuste est conforme à la Directive 2014/53/EU.
- Le produit doit être uniquement connecté à des interfaces USB de version USB 2.0 ou supérieure, et il est interdit de le connecter à une source d'alimentation USB.
- Pour ce dispositif, les tests SAR sur le corps humain sont effectués selon la norme EN IEC/IEEE 62209-1528:2021, avec une distance de 0 millimètre entre le dispositif et le modèle de test.

Pour l'UE :

La plage de fréquences de travail	La puissance de sortie RF maximale
GSM 850 / 900 / 1800 / 1900	Maximum 2W / Maximum 1W
UTRA FDD Band I / VIII	0.25W
E-UTRA FDD Band 1 / 3 / 7 / 20	0.2 W
Bluetooth 2402 - 2480 MHz	4.97 dBm EIRP
WiFi 2412 - 2472 MHz	17.20 dBm EIRP
GPS 1575.42 MHz	/
GLONASS 1602 MHz	/
BDS1561.098 MHz	/

Il est livré avec l'application Google™ et Google Chrome™  
Android est une marque de commerce de Google LLC



## FCC

Attention: Ce dispositif a été testé et est conforme aux limites pour les appareils numériques de classe B spécifiées dans la partie 15 des règlements de la FCC. Ces limites sont conçues pour fournir une protection raisonnable contre les interférences nuisibles dans une installation résidentielle. Ce dispositif génère, utilise et peut émettre de l'énergie radiofréquence, et s'il n'est pas installé et utilisé selon les instructions, il peut causer des interférences nuisibles aux communications radio. Cependant, il n'est pas garanti qu'il n'y aura pas d'interférences dans une installation particulière. Si ce dispositif cause effectivement des interférences nuisibles à la réception radio ou télévisuelle, vous pouvez déterminer l'origine de ces interférences en éteignant puis en rallumant le dispositif. Les utilisateurs doivent essayer l'une ou plusieurs des mesures suivantes pour corriger les interférences :

- Réorienter ou déplacer l'antenne réceptrice.
- Augmenter la distance entre l'équipement et le récepteur.
- Brancher l'équipement sur une prise de courant différente de celle du récepteur.
- Consulter le revendeur ou un technicien radio/télévision expérimenté pour obtenir de l'aide.

Les modifications ou altérations de ce dispositif, non expressément approuvées par les parties responsables de la conformité, peuvent priver l'utilisateur du droit d'utiliser cet équipement.

Ce dispositif est conforme à la partie 15 des règlements de la FCC. Son fonctionnement est soumis aux deux conditions suivantes :

- (1) Ce dispositif ne doit pas causer d'interférences nuisibles.
- (2) Ce dispositif doit accepter toute interférence reçue, y compris celles pouvant causer un fonctionnement indésirable.

Informations d'exposition aux RF :

Exigences d'exposition aux RF de la FCC : Pendant la certification du produit, la valeur SAR maximale rapportée pour une utilisation en contact avec le corps est conforme à cette norme, avec une distance minimale de séparation de 0 mm. Ce transmetteur ne doit pas être placé ou utilisé simultanément avec tout autre antenne ou transmetteur.

Ce produit est conforme aux exigences d'exposition aux RF de la FCC et peut être vérifié sur le site web de la FCC à l'adresse suivante :

<https://apps.fcc.gov/oetcf/eas/reports/GenericSearch.cfm>, en recherchant l'identifiant FCC : 2A162-X7.

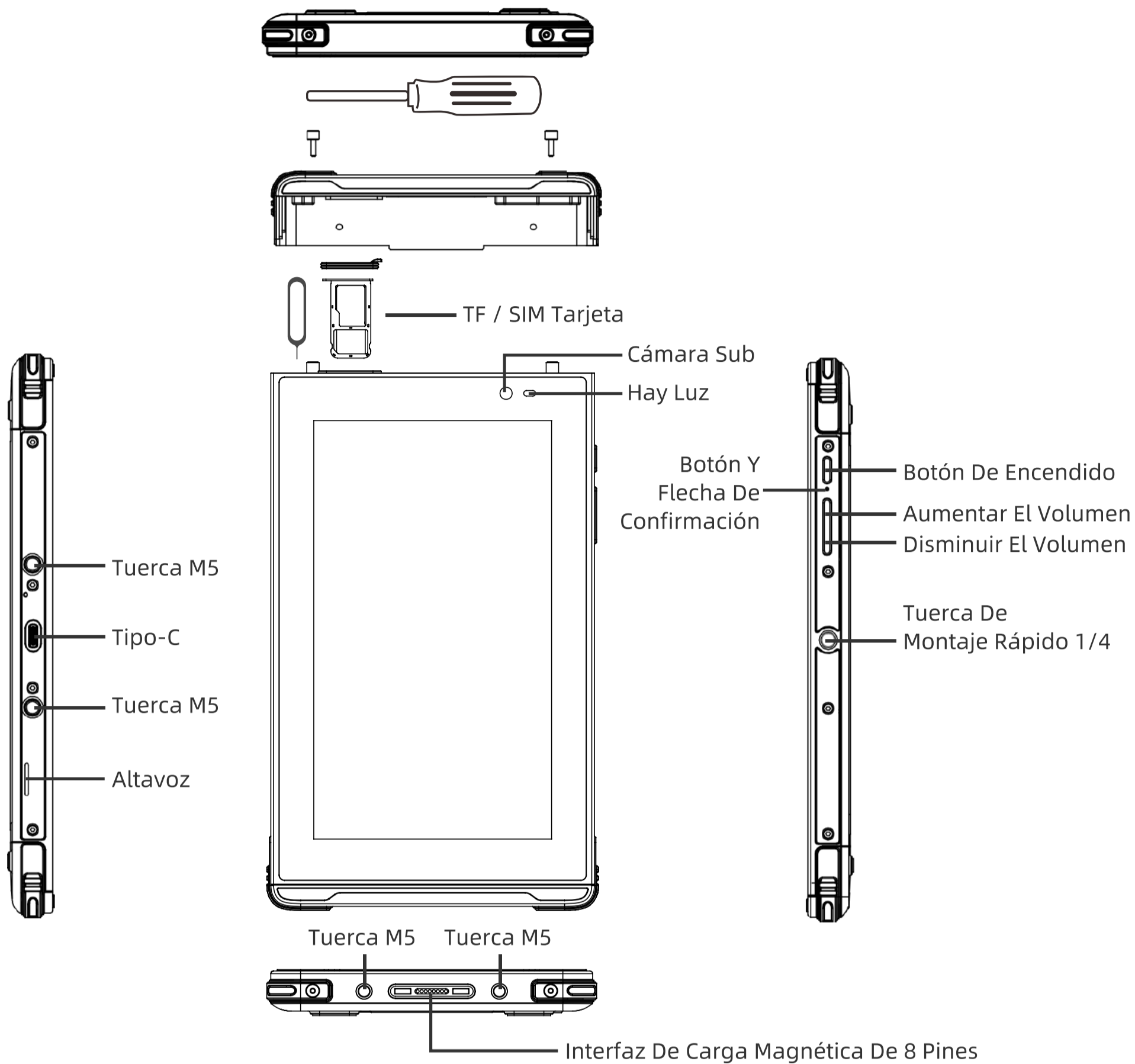
# Utilizar este manual

**Por favor, lea el archivo de instrucciones primero.**

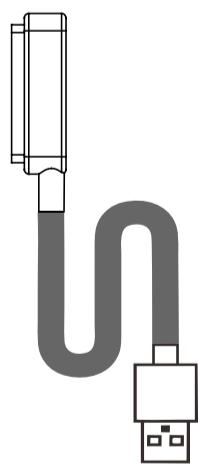
Gracias por utilizar las tabletas reforzadas de nuestra empresa. Esta tableta está construida sobre la base del sistema operativo Google Android.

- Lea atentamente todas las precauciones de seguridad y este manual antes de usar el dispositivo para garantizar la seguridad y un uso correcto.
- La descripción en este manual está basada en la Configuración predeterminada del dispositivo.
- Las imágenes y pantallas usadas en este manual pueden variar de la apariencia real del producto.
- Los contenidos de este manual pueden variar del producto, del proveedor de servicio o del software disponible por el proveedor de servicio. Sujetos a cambios sin previo aviso.
- Las características disponibles y los servicios adicionales pueden variar dependiendo del dispositivo, del software o del proveedor de servicio.
- El formato y la información de este manual se basan en el sistema operativo Android de Google, que puede ser diferente.
- Las aplicaciones y sus funciones pueden variar según el país, la región o la especificación de hardware. No somos responsables de los problemas de rendimiento causados por aplicaciones de terceros.
- No somos responsables de los problemas de rendimiento o incompatibilidades causadas por la edición de la configuración del registro de los clientes.
- Las fuentes de sonido, fondos de pantalla e imágenes proporcionados en este equipo están licenciados para uso limitado por nosotros y por sus respectivos dueños. El uso de estos materiales con fines comerciales u otros propósitos es una violación de la ley de derechos de autor. No nos hacemos responsables de la infracción de derechos de autor por parte de nuestros usuarios.
- Es posible que se incurran cargos adicionales por el envío y recepción de mensajes, la carga y descarga, la sincronización automática o el uso de servicios de ubicación. Para evitar los cargos adicionales, elija el plan de cobro de datos adecuado. Póngase en contacto con su proveedor de servicios para obtener más información.
- Guarde este manual para futuras consultas.

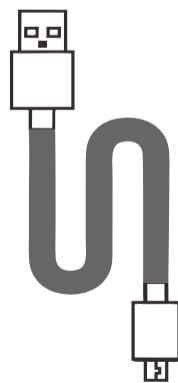
Viene con la aplicación Google™ y Google Chrome™  
Android es una marca comercial de Google LLC



# Accessories



Cable De Carga Magnética

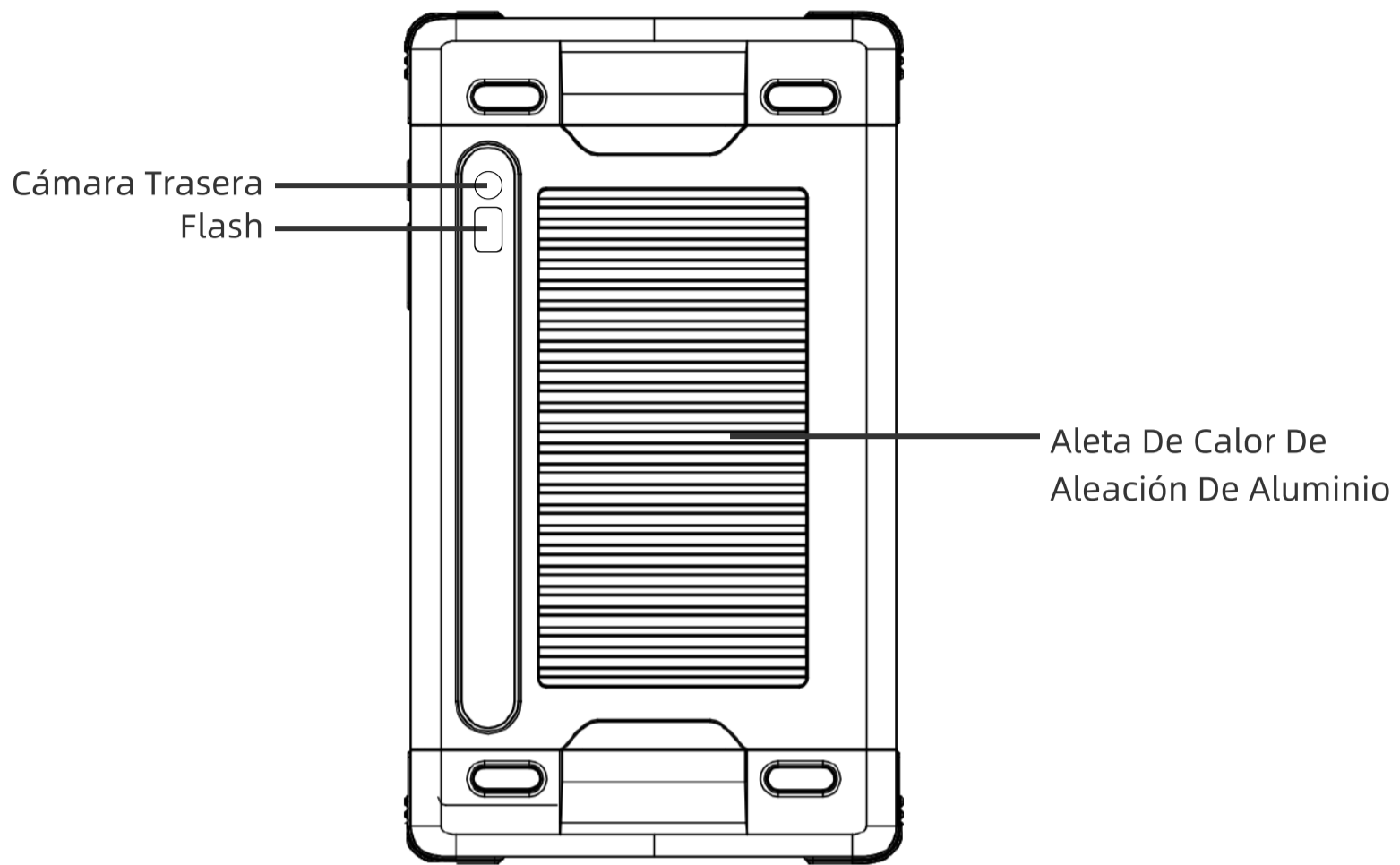


Cable Tipo C



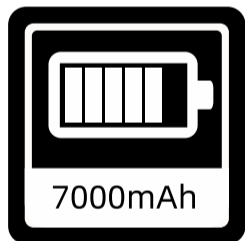
Cable De Datos De Controlador De Vuelo

Viene con la aplicación Google™ y Google Chrome™  
Android es una marca comercial de Google LLC

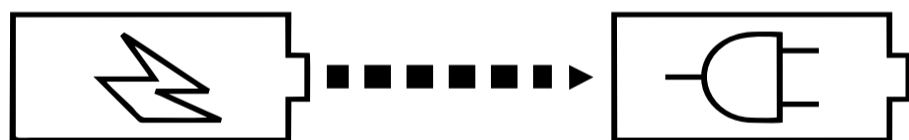


## Batería

El dispositivo tiene una batería incorporada, Puede rastrear su batería usando el icono que se muestra en la parte superior derecha de la pantalla.



Batería De Polímero



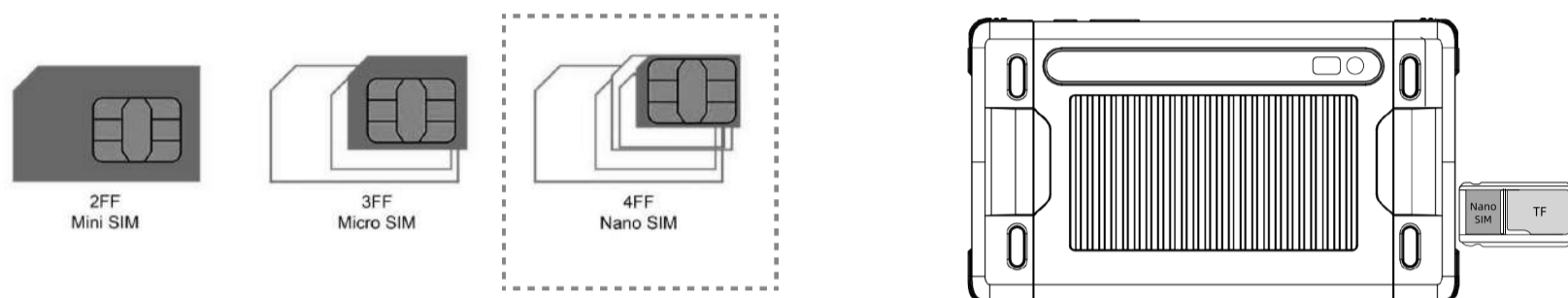
## Advertencia

- Use solo baterías con certificación de seguridad diseñadas específicamente para su dispositivo.
- La incompatibilidad de la batería puede causar lesiones graves o daños al dispositivo.
- Nunca coloque la batería o el dispositivo en equipos de calefacción como hornos de microondas, estufas o radiadores. Una batería sobrecalentada puede causar una explosión.

Viene con la aplicación Google™ y Google Chrome™  
 Android es una marca comercial de Google LLC

# 1 Comment insérer une carte SIM et une carte mémoire TF

Para una mayor protección de la tarjeta SIM, el producto utiliza un diseño de ranura para tarjeta SIM integrada para evitar daños. La ranura de la tarjeta siempre debe insertarse o extraerse después de apagar el suministro eléctrico. Esta máquina utiliza tarjetas Nano SIM, por favor, asegúrese de confirmar antes de insertar la tarjeta. En particular, la tarjeta de almacenamiento de expansión TF debe instalarse en el estado de apagado, de lo contrario puede causar problemas en el sistema.



Apague el dispositivo, use el destornillador provisto para abrir la tapa protectora de la tarjeta, inserte la aguja SIM en el pequeño orificio de la ranura de la tarjeta, retire la ranura, coloque la tarjeta Nano SIM y la tarjeta de memoria TF, asegúrese de que los ángulos biselados estén alineados con los de la ranura, y luego empuje la ranura de nuevo en su lugar.

## 2 Cómo arrancar

- Una batería no extraíble está instalada dentro del dispositivo,
- Mantenga presionado el botón de encendido durante 3-5 segundos para iniciar.

## 3 Comment envoyer un SMS, MMS

### SMS

- Abra la aplicación de SMS,
- Seleccione nueva información,
- Introduzca su número de teléfono o busque en sus contactos,
- Seleccione editar información e introduzca su texto,
- Enviar. ➤

### MMS

- Al escribir mensajes de texto, elija agregar imágenes, videos u otros archivos que desee agregar, o incluso tome nuevas fotos o videos de inmediato,
- Seleccione o envíe. ➤

Viene con la aplicación Google™ y Google Chrome™  
Android es una marca comercial de Google LLC

## 4 Ajustes de cambio de idioma

- Menú principal--ajustes de sistema--idioma e método de entrada,
- Idioma e método de entrada--idioma--agregar idioma,
- Seleccione el idioma que necesite, el sistema lo hará automáticamente,
- volver a la interfaz de idioma,
- Seleccione el icono después de la barra de idioma y arrástrelo al primero.

## 5 Propiedades electromagnéticas

- El límite máximo de la relación de absorción de radiación electromagnética (SAR) de este producto es  $<2.0\text{W/kg}$ ,
- Conforme con los requisitos de la norma nacional  
EN 50360: 2017; EN 50566: 2017; EN62209-1: 2016;  
EN 62209-2: 2010; EN 62479: 2010.

## 6 Seguridad

**Para garantizar el uso seguro del producto, debe seguir estrictamente las siguientes reglas.**

- Esta unidad debe mantenerse al menos a 15 cm de cualquier dispositivo médico implantado o de regulación, y nunca debe guardarse en el bolsillo de una chaqueta.
- No exponga la unidad ni sus baterías a temperaturas altas o fuentes de calor, como la luz del sol, radiadores, hornos de microondas, hornos o calentadores de agua. Las baterías sobrecalentadas pueden explotar.
- Cuando se haya completado o no se haya cargado la carga, desconecte el cargador de la unidad y desenchufe el cargador de la toma de alimentación. No cargue la unidad en entornos explosivos.
- Esta unidad viene con una batería no extraíble. No reemplace la batería por su cuenta para evitar dañar la batería o la unidad.
- El uso de una fuente de alimentación, cargador o batería no autorizada o incompatible puede provocar incendios, explosiones u otros peligros. La empresa no será responsable de los accidentes relacionados con el uso de equipos de carga no autorizados o no compatibles.
- No deje caer, aplaste, rasgue ni perforo la batería para evitar exponer la batería a excesiva presión externa, lo que puede provocar un cortocircuito y sobrecalentamiento internos.
- No desmonte ni restablezca la batería, ni la meta en otros objetos, ni la sumerja en agua u otros líquidos.

Viene con la aplicación Google™ y Google Chrome™  
Android es una marca comercial de Google LLC

## 7 Precauciones para el mantenimiento de la batería

- Cuando el dispositivo no se use durante mucho tiempo, la capacidad de la batería no deberá ser inferior al 80%, especialmente cuando se almacene a baja temperatura en invierno, y se realizará una carga y descarga completas una vez al mes.
- Cuando la batería esté por debajo del 30%, cárguela a tiempo. El tiempo de carga generalmente es de 4 a 8 horas. Cuando el cargador no esté en uso, retírelo del enchufe de alimentación.
- No conecte una batería cargada permanentemente a un cargador, ya que la sobrecarga puede acortar la vida útil de la batería. Maneje el dispositivo con cuidado al cargarlo y realizar la transmisión de datos. No opere el dispositivo en este momento, excepto en circunstancias especiales, para evitar el cortocircuito de la toma y el daño al chip de control.
- No se permite cargar el dispositivo en entornos húmedos, inflamables o explosivos. Una carga y descarga adecuadas pueden prolongar la vida útil de la batería.
- Es mejor completar tres ciclos completos de carga y descarga antes de usarlo.

## 8 Autres considérations

- Notas adicionales· Comprenda completamente el mantenimiento del dispositivo para usarlo de manera segura y eficiente y extender la vida útil del dispositivo en la mayor medida posible.
- Siga las instrucciones del manual para abrir el dispositivo, quitar los accesorios y no intente otros métodos.
- Evite dejar caer, golpear o sacudir el dispositivo. El mal uso del dispositivo puede causar que la pantalla se rompa, dañando los circuitos internos y la construcción fina.
- No use solventes químicos o detergentes para limpiar su equipo. Limpie la carcasa exterior con un paño de algodón suave humedecido en agua o jabón suave.
- Limpie las lentes (por ejemplo, lentes de la cámara y pantallas) con un paño limpio, seco y suave.
- Si durante el uso se encuentra con problemas como colisiones u otros fallos anormales que impiden el funcionamiento normal, siga estos pasos: presione el botón de reinicio, lo cual forzará el reinicio del dispositivo (el reinicio desbloqueará el dispositivo) y debería solucionar problemas comunes.
- La pantalla táctil del dispositivo puede usarse normalmente en un ambiente de aire y niebla, pero la sensibilidad se reducirá en un ambiente lluvioso o nevado.
- No use el dispositivo bajo la lluvia intensa ni en la nieve a menos que sea por circunstancias especiales.
- Después de usar el dispositivo en clima lluvioso o nevado, retire el agua de la superficie y séquela en un lugar fresco.
- En un entorno de trabajo con luz fuerte, cambie la configuración de ajuste automático de brillo a ajuste manual de brillo y ajuste máximo de brillo. Después del ajuste máximo de brillo, habrá un calentamiento obvio y la vida útil de trabajo se reducirá significativamente. Por favor, ajuste adecuadamente el brillo de la pantalla.
- El paquete estándar de este dispositivo incluye (tableta, cable de datos Type-C, cable de datos de control de vuelo, cable de carga magnético, manual del usuario, protector de pantalla, tarjeta de precauciones).

Viene con la aplicación Google™ y Google Chrome™  
Android es una marca comercial de Google LLC

# 9 Declaración de conformidad CE

· Utilice la tableta resistente en temperaturas ambientales entre 0°C y 35°C, de lo contrario podría dañar su tableta resistente. Puede funcionar normalmente a altitudes inferiores a 2000 metros sobre el nivel del mar.



- Declaración de conformidad
- Shenzhen Shuoteng (Hong Kong) Technology Co., Ltd. por la presente declara que el tipo de equipo de radio de esta tableta resistente cumple con la Directiva 2014/53/EU.
- El producto debe conectarse únicamente a interfaces USB de versión USB 2.0 o superior, y está prohibido conectarlo a una fuente de alimentación USB.
- Para este dispositivo, las pruebas SAR en el cuerpo humano se realizan de acuerdo con la norma EN IEC/IEEE 62209-1528:2021, con una distancia de 0 milímetros entre el dispositivo y el modelo de prueba.

Para la UE:

El rango de frecuencia de trabajo	La potencia máxima de salida RF
GSM 850 / 900 / 1800 / 1900	Máximo 2W / Máximo 1W
UTRA FDD Band I / VIII	0.25W
E-UTRA FDD Band 1 / 3 / 7 / 20	0.2 W
Bluetooth 2402 - 2480 MHz	4.97 dBm EIRP
WiFi 2412 - 2472 MHz	17.20 dBm EIRP
GPS 1575.42 MHz	/
GLONASS 1602 MHz	/
BDS1561.098 MHz	/

Viene con la aplicación Google™ y Google Chrome™  
Android es una marca comercial de Google LLC



## FCC

Aviso: Cumplimiento de normas de la FCC para dispositivos digitales de Clase B Este dispositivo ha sido probado y cumple con los límites para dispositivos digitales de Clase B según la Parte 15 de las normativas de la FCC. Estos límites están diseñados para proporcionar protección razonable contra interferencias perjudiciales en instalaciones residenciales. Este dispositivo genera, utiliza y puede emitir energía de radiofrecuencia y, si no se instala y utiliza según las instrucciones, puede causar interferencias perjudiciales en las comunicaciones por radio. Sin embargo, no se puede garantizar que en todas las instalaciones no ocurran interferencias. Si este dispositivo causa interferencias perjudiciales en la recepción de radio o televisión, se recomienda al usuario que intente corregir las interferencias mediante una o más de las siguientes medidas:

- Reorientar o mover la antena receptora.
- Aumentar la separación entre el dispositivo y el receptor.
- Conectar el dispositivo a una toma de corriente en un circuito diferente al del receptor.
- Consultar al distribuidor o a un técnico experimentado en radio o televisión para obtener ayuda.

Cualquier cambio o modificación no aprobado explícitamente por la parte responsable del cumplimiento podría impedir que el usuario opere el equipo.

Este dispositivo cumple con la Parte 15 de las normativas de la FCC y debe operarse bajo las siguientes condiciones:

- (1) Este dispositivo no debe causar interferencias perjudiciales.
- (2) Este dispositivo debe aceptar cualquier interferencia recibida, incluidas aquellas que puedan causar un funcionamiento no deseado.

Información de exposición a RF:

Requisitos de exposición a RF de la FCC: Durante la certificación del producto para el uso en contacto con el cuerpo, el valor SAR máximo reportado cumple con este estándar, con una distancia mínima de separación de 0 mm. Este transmisor no debe colocarse ni operarse simultáneamente con cualquier otra antena o transmisor.

Este producto cumple con los requisitos de exposición a RF de la FCC y se hace referencia al sitio web de la FCC en <https://apps.fcc.gov/oetcf/eas/reports/GenericSearch.cfm>, buscando FCC ID: 2A162-X7.

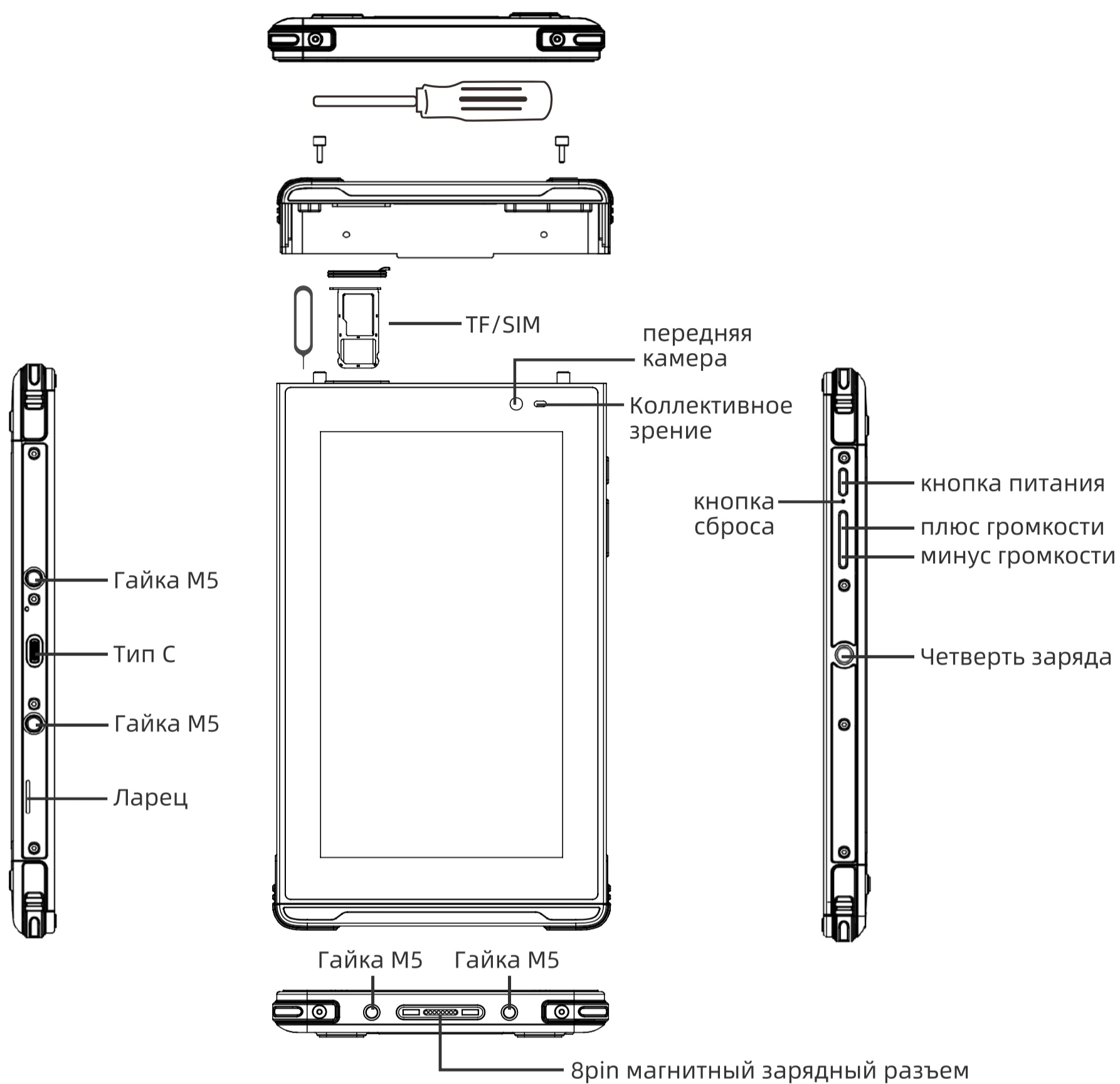
# Руководство

## Пожалуйста, прочтите сначала инструкции.

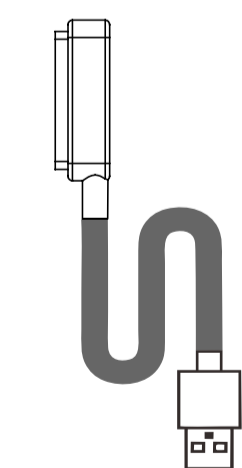
Благодарим вас за использование наших усиленных планшетных компьютеров. Этот планшет построен на основе операционной системы Google Android.

- Прежде чем использовать устройство, пожалуйста, внимательно прочитайте все предосторожности и данное руководство для обеспечения безопасности и правильного использования.
- Описание, приведенное в данном руководстве, основано на настройках по умолчанию устройства.
- Изображения и снимки экрана, используемые в данном руководстве, могут отличаться от действительного внешнего вида продукта.
- Содержание данного руководства может отличаться от продукта, предоставляемого поставщиком услуг или программного обеспечения, предоставляемого поставщиком услуг. Заменяется без предварительного уведомления.
- Доступные функции и дополнительные услуги могут меняться в зависимости от устройства, программного обеспечения или поставщика услуг.
- Формат и информация в данном руководстве основаны на операционной системе Google Android, которая может быть различной.
- Приложения и их функции могут меняться в зависимости от страны, региона или спецификации оборудования. Мы не несем ответственности за проблемы производительности, вызванные третьими приложениями.
- Мы не несем ответственности за проблемы производительности или несовместимость, вызванные редактированием параметров реестра наших клиентов.
- Звуковые источники, обои и изображения, предоставленные в этом оборудовании, лицензированы для ограниченного использования нами и их соответствующими владельцами. Использование этих материалов для коммерческих или других целей является нарушением авторских прав. Мы не несем ответственности за такое нарушение авторских прав нашими пользователями.
- За отправку и получение сообщений, загрузку и выгрузку, автоматическую синхронизацию или использование служб местоположения могут быть взимаемы дополнительные платежи. Чтобы избежать дополнительных расходов, выберите правильный план сбора данных. Для получения дополнительной информации обратитесь к своему поставщику услуг.
- Пожалуйста, сохраните данное руководство для дальнейшего изучения.

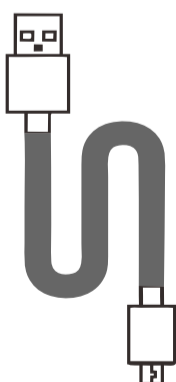
Он поставляется с приложениями Google™ и Google Chrome™  
Android - это знак от Google LLC



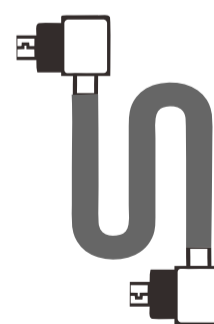
## Аккумулятор



магнитный  
зарядный кабель

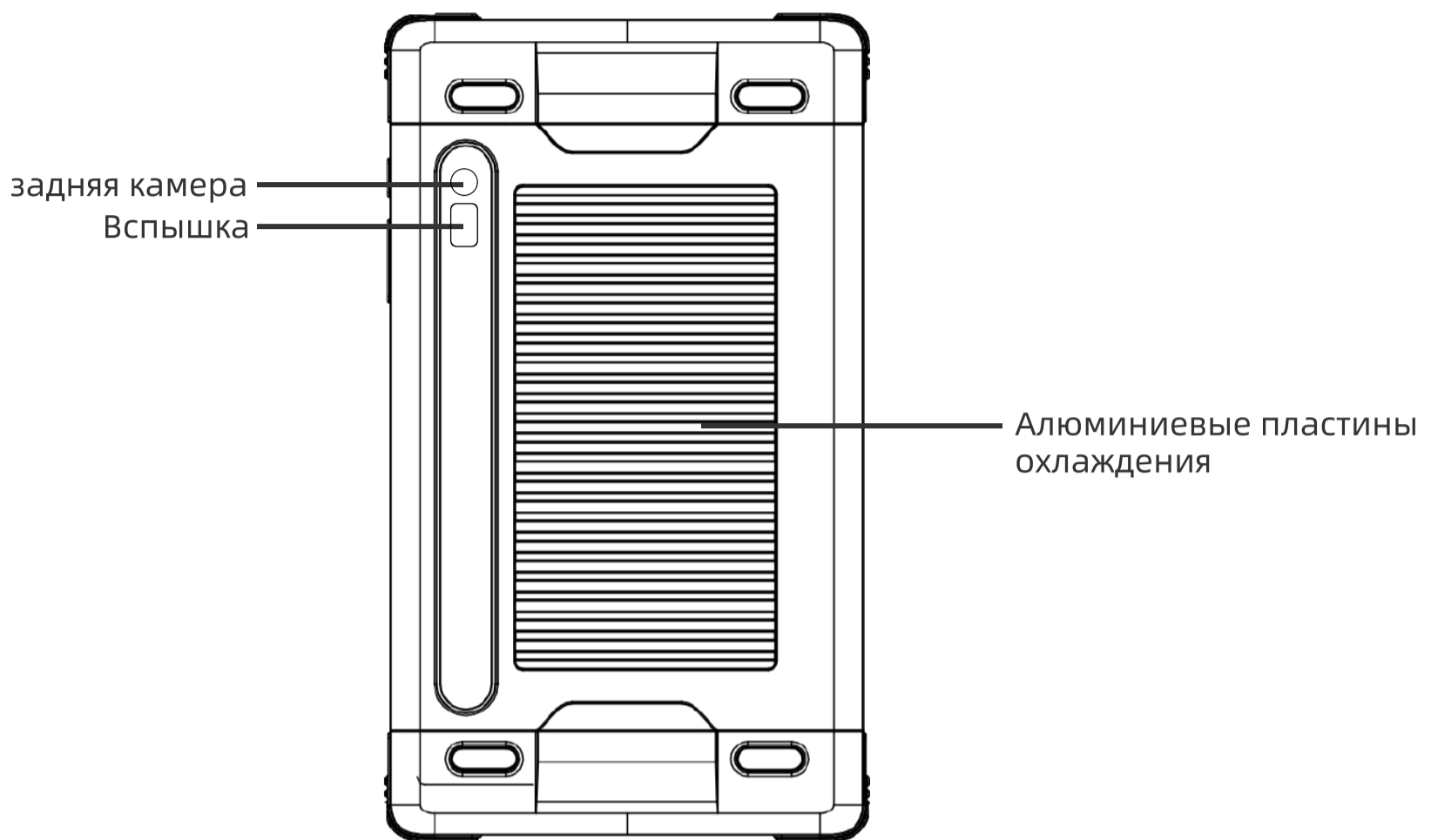


Кабель Type-C



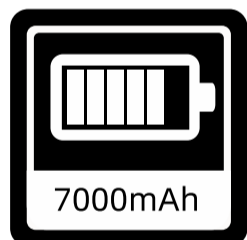
линия данных  
управления полета

Он поставляется с приложениями Google™ и Google Chrome™  
Android - это знак от Google LLC

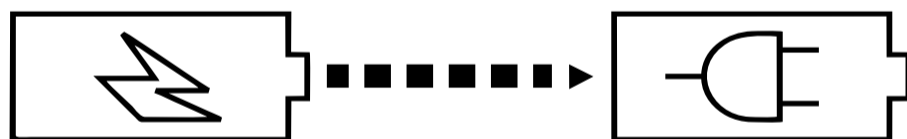


## Батарея

В устройстве есть встроенная батарея, Вы можете отслеживать состояние батареи с помощью значка, отображаемого в правом верхнем углу экрана.



Литий-полимерный аккумулятор



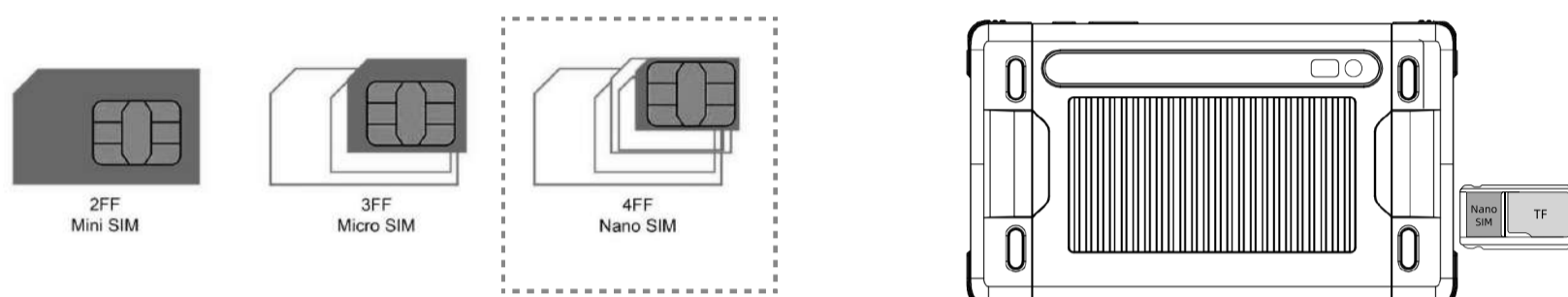
## Предупреждение

- Используйте только батареи, специально разработанные и протестированные для вашего устройства.
- Несовместимость батареи может привести к серьезному повреждению или поломке у устройства.
- Ни в коем случае не размещайте батарею или устройство на каком-либо источнике нагрева, таком как микроволновка, плита или охладитель, чтобы избежать возможного перегрева батареи и возникновения взрыва.

Он поставляется с приложениями Google™ и Google Chrome™  
Android - это знак от Google LLC

# 1 Как вставить SIM-карту и карту памяти TF

Для более полной защиты SIM-карты этот продукт имеет встроенный слот для SIM-карты, чтобы предотвратить повреждение. Вставляйте или извлекайте его всегда после выключения питания. Эта машина использует Nano SIM-карту, прежде чем вставить ее, проверьте, пожалуйста, правильно ли вставлена. Особое внимание необходимо уделить отключению электропитания при установке расширенной памяти TF-карты, в противном случае могут возникнуть проблемы с системой.



Выключите устройство, используйте прилагаемую отвертку, чтобы открыть крышку защиты карты, вставьте иглу для SIM-карты в небольшое отверстие слота, извлеките слот, установите Nano SIM-карту и TF-карту памяти, убедитесь, что скошенные углы выровнены со скошенными углами слота, затем вставьте слот обратно.

# 2 Как запустить машину

- Tenere premuto il tasto di accensione per 3-5 secondi per avviare,
- l'apparecchio con una batteria interna non rimovibile.

# 3 Как отправить SMS или MMS

## SMS

- Откройте приложение сообщений,
- Выберите новое сообщение,
- Введите номер телефона или просмотрите ваши контакты,
- Выберите для редактирования сообщения и введите свой текст,
- Отправить. ➤

## MMS

- Когда пишешь СМС,
- выберите добавлять изображения, видео или другие файлы, которые вы хотите добавить, или даже можете сразу же сделать новые фотографии или видео,
- выбор или отправка. ➤

Он поставляется с приложениями Google™ и Google Chrome™  
Android - это знак от Google LLC

## 4 Настройка переключения языка

- Главное меню - Настройки - Настройки системы - Языки и методы ввода,
- Язык и метод ввода - Язык - Добавление языка,
- Выберите необходимый язык, система автоматически,
- Вернуться на языковой интерфейс,
- Выберите значок после языковой панели и перетащите его на первое место.

## 5 Электромагнитные свойства

- Максимальное соотношение поглощения электромагнитного излучения (SAR) для данного продукта <math>2.0\text{W / кг}</math>.
- Соответствует требованиям стандартов:  
EN 50360: 2017; EN 50566: 2017; EN62209-1: 2016;  
EN 62209-2: 2010; EN 62479: 2010.

## 6 Безопасн

**Чтобы гарантировать безопасное использование продукта, вы должны строго соблюдать следующие правила.**

- Прибор должен находиться на расстоянии не менее 15 см от любого медицинского импланта или регулятора, и продолжать не переносить его в вашем кармане пальто.
- Не экспонируйте это устройство и другие батареи высоким температурам или нагревающим оборудованием, таким как солнечный свет, обогреватели, микроволновки, духовки или водонагреватели. Перегретая батарея может вызвать взрыв.
- Когда зарядка завершена или нет, зарядное устройство должно быть отключено от устройства и отключено от сети. Не заряжайте устройство в взрывоопасной среде.
- Устройство оснащено несъемной батареей. Не замещайте батарею самостоятельно, чтобы избежать повреждения батареи или устройства.
- Использование неавторизованного или несовместимого источника питания, зарядных устройств или батарей может привести к пожару, взрыву или другим опасностям. Мы не несем ответственности за любые аварии, вызванные нестандартными зарядными устройствами.
- Не бросайте, давите, царапайте или пронзайте батарею. В противном случае она может быть подвергнута чрезмерному внешнему давлению, что в итоге приведет к внутреннему короткому замыканию и перегреву.
- Не удаляйте и не сбрасывайте батарею, не вставляйте другие предметы и не погружайте в воду или другие жидкости.

Он поставляется с приложениями Google™ и Google Chrome™  
Android - это знак от Google LLC

## 7 Особые меры по обслуживанию аккумулятора

- Не храните аккумулятор долгое время с уровнем заряда не ниже 80%, особенно при низких температурах в зимний период. Каждый месяц необходимо проводить полное зарядно-разрядное действие.
- Если заряд аккумулятора ниже 30%, зарядите его вовремя. В среднем зарядка занимает от 4 до 8 часов. Когда зарядное устройство не используется, отключите его от розетки.
- Не держите устройство постоянно в полном заряде, так как избыточное зарядка сокращает срок службы аккумулятора. При подключении аккумулятора и передаче данных перемещайте устройство с легкостью, не используйте его при наличии проблем с внутренними разъемами, иначе это может привести к падению качества и поломке контроллера.
- Запрещается заряжать устройство во влажных, легковоспламеняющихся или взрывоопасных условиях. Разумное использование заряда и разряда может продлить срок службы аккумулятора.
- Лучше всего перед использованием провести три полных цикла зарядки и разрядки.

## 8 Дополнительные примечания

- Сделать полное знакомство с условиями обслуживания оборудования, чтобы использовать его более безопасно и эффективно и продлить его срок службы как можно дольше.
- Откройте оборудование согласно инструкциям в руководстве, удалите аксессуары и не испытывайте другие методы.
- Избегайте падения, удара или колебания аппарата. Грубое обращение с аппаратом может привести к трещинам в дисплее, повреждению внутренних печатных плат и нежных конструкций.
- Не используйте химические растворители или моющие средства для очистки вашего оборудования. Протрите внешнюю оболочку мягкой хлопковой тканью, смоченной в воде или мягком мыле.
- Для чистки линз (например, Объективы камеры или экраны) используйте чистые, сухие и мягкие ткани.
- Если в процессе использования возникают столкновения или другие нештатные сбои, из-за которых устройство не работает нормально, следует выполнить следующие действия: нажмите кнопку сброса, это приведет к принудительному перезапуску устройства (при перезапуске будет разблокировано), что может решить общие проблемы.
- Это устройство работает нормально в условиях тумана или тишины, но чувствительность экрана может уменьшиться в условиях дождя или снега.
- В условиях дождя или снега не используйте устройство, если это не необходимо.
- После использования устройства в условиях дождя или снега удалите воду с поверхности и дайте ему высохнуть в сухом и прохладном месте.
- В условиях рабочего места с интенсивным освещением установите максимальную яркость вручную в режиме регулировки яркости. После того, как яркость будет регулироваться до максимума, будет иметься некоторое количество тепла, а работа устройства очевидно будет снижаться, поэтому разумно регулируйте яркость экрана.
- Стандартная комплектация этого устройства включает (планшет, кабель передачи данных Type-C, кабель передачи данных для управления полетом, магнитный зарядный кабель, руководство пользователя, защитную пленку для экрана, карточку с предупреждениями).

Он поставляется с приложениями Google™ и Google Chrome™  
Android - это знак от Google LLC

# 9 Декларация соответствия CE

· Используйте прочный планшет в окружающей среде с температурой от 0°C до 35°C, иначе это может повредить ваш прочный планшет. Он может работать на высоте до 2000 метров.



- Заявление о соответствии
- Shenzhen Shuoteng (Hong Kong) Technology Co., Ltd. настоящим заявляет, что радиооборудование данного прочного планшетного компьютера соответствует Директиве 2014/53/EU.
- Продукт должен подключаться только к интерфейсам USB версии USB 2.0 или выше, подключение к USB питанию запрещено.
- Для этого устройства испытания SAR на человеческом теле проводятся в соответствии с стандартом EN IEC/IEEE 62209-1528:2021, с расстоянием 0 миллиметров между устройством и тестируемой моделью.

Для ЕС:

Диапазон рабочих частот	Максимальная выходная мощность RF
GSM 850 / 900 / 1800 / 1900	Максимальная мощность 2 Вт / Максимальная мощность 1 Вт
UTRA FDD Band I / VIII	0.25W
E-UTRA FDD Band 1 / 3 / 7 / 20	0.2 W
Bluetooth 2402 - 2480 MHz	4.97 dBm EIRP
WiFi 2412 - 2472 MHz	17.20 dBm EIRP
GPS 1575.42 MHz	/
GLONASS 1602 MHz	/
BDS1561.098 MHz	/

Он поставляется с приложениями Google™ и Google Chrome™  
Android - это знак от Google LLC



## FCC

Внимание: Соответствие требованиям FCC для цифровых устройств класса В Это устройство прошло испытания и соответствует ограничениям для цифровых устройств класса В в соответствии с частью 15 правил FCC. Эти ограничения предназначены для обеспечения разумной защиты от вредных помех в жилых помещениях. Устройство генерирует, использует и может излучать радиочастотную энергию, и если оно не установлено и используется в соответствии с инструкциями, оно может создавать вредные помехи в радиосвязи. Однако нельзя гарантировать отсутствие помех в каждой конкретной установке. Если устройство действительно создает вредные помехи в приеме радио или телевидения, рекомендуется пользователю попробовать устранить помехи, используя одно или несколько следующих мероприятий:

- Перенаправление или перемещение приемной антенны.
- Увеличение расстояния между устройством и приемником.
- Подключение устройства к розетке на отдельной электрической цепи от приемника.
- Обращение к дилеру или опытному специалисту по радио или телевидению для получения помощи.

Любые изменения или модификации, неодобренные явно ответственными за соблюдение сторонами, могут лишить пользователя права на эксплуатацию устройства.

Это устройство соответствует части 15 правил FCC и должно эксплуатироваться в следующих условиях:

- (1) Устройство не должно создавать вредных помех.
- (2) Устройство должно принимать любые получаемые помехи, включая те, которые могут вызвать неправильную работу устройства.

Информация о воздействии радиочастот (RF):

Требования FCC к воздействию RF: Во время сертификации продукта для использования в контакте с телом, максимальное заявленное значение SAR соответствует этому стандарту, с минимальным расстоянием разделения 0 мм. Этот передатчик не должен размещаться или использоваться одновременно с любой другой антенной или передатчиком.

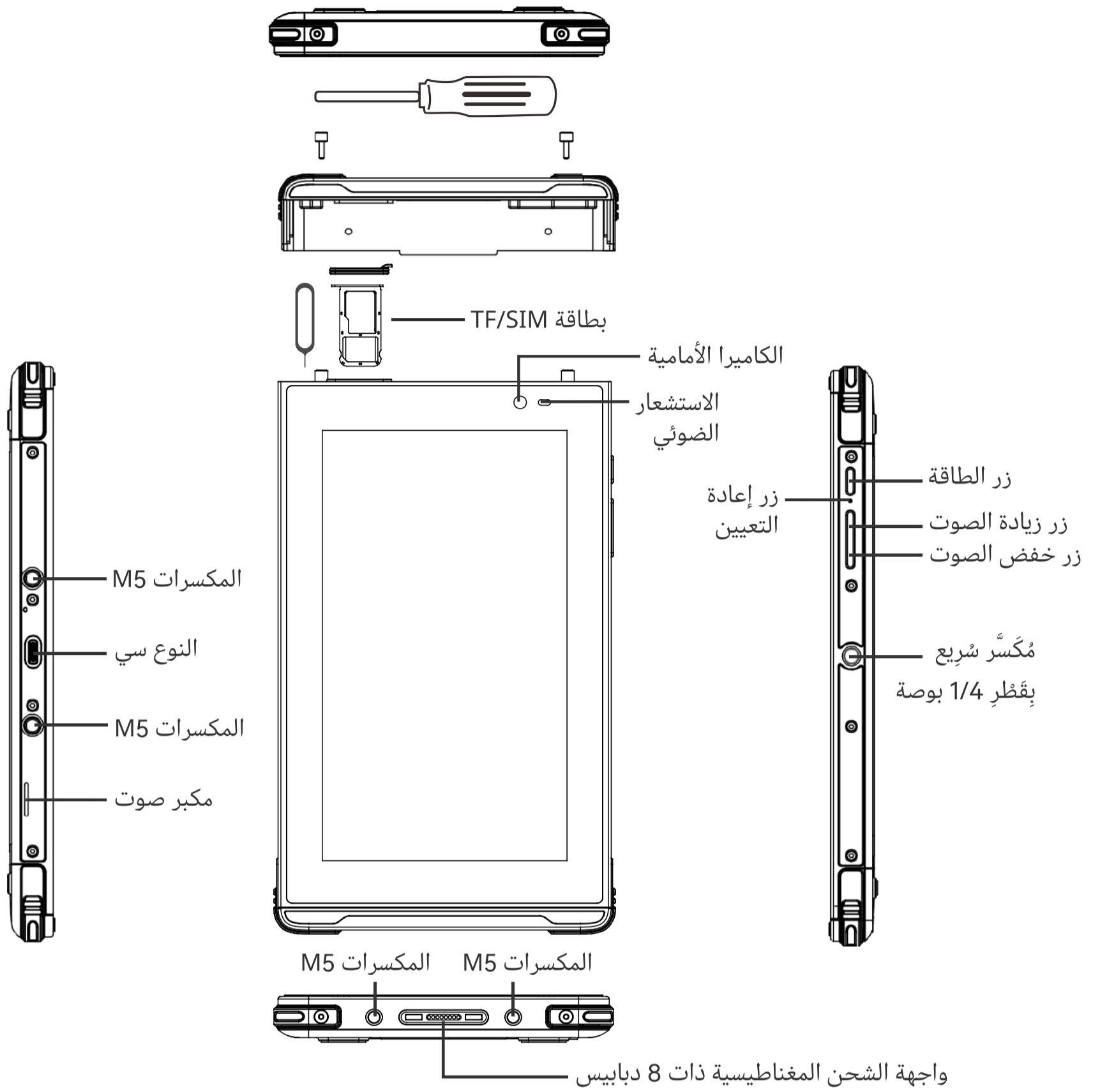
Этот продукт соответствует требованиям FCC к воздействию RF и можно найти на веб-сайте FCC по адресу <https://apps.fcc.gov/oetcf/eas/reports/GenericSearch.cfm>, используя FCC ID: 2A162-X7.

Он поставляется с приложениями Google™ и Google Chrome™  
Android - это знак от Google LLC

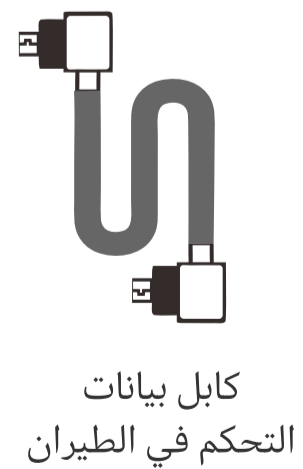
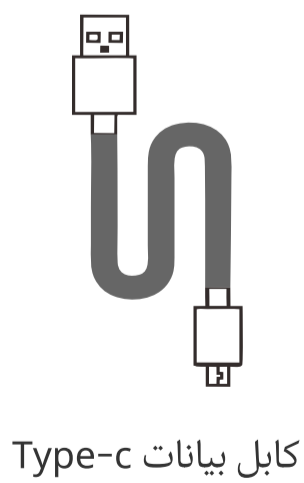
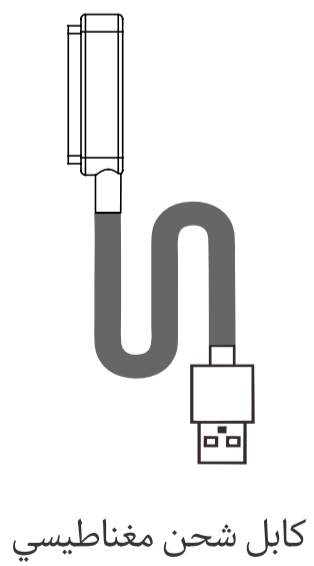
# استخدام هذا الدليل

يرجى قراءة ملف التعليمات أولاً

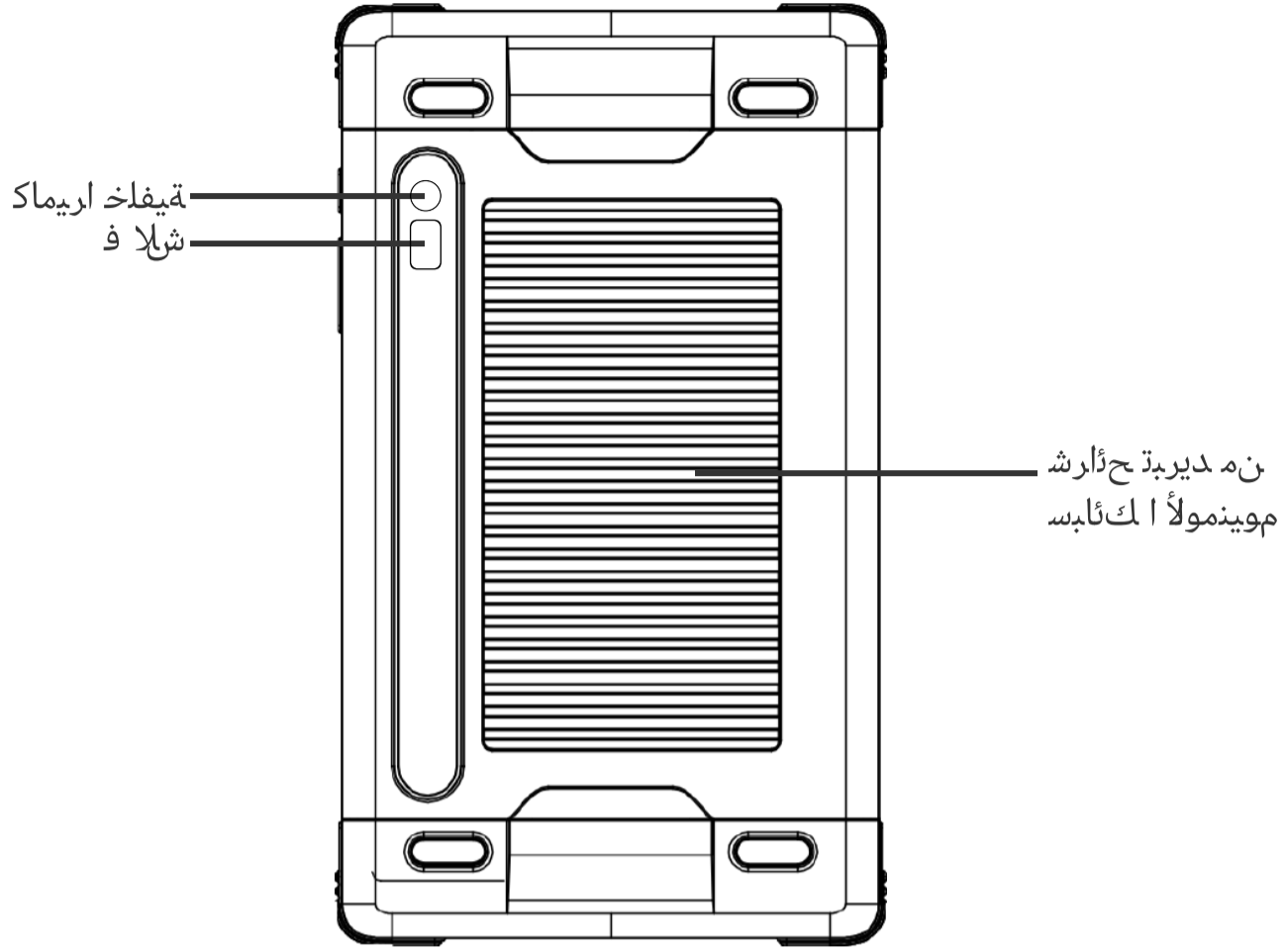
- شكراً لكم على استخدامكم لوحينا المتين، الذي يعتمد على نظام التشغيل Google Android.
- يُرجى قراءة جميع تعليمات السلامة وهذا الدليل بعناية قبل استخدام الجهاز، لضمان الاستخدام الآمن والصحيح.
- يعتمد وصف هذا الدليل على الإعدادات الافتراضية للجهاز.
- قد تختلف الصور ولقطات الشاشة المستخدمة في هذا الدليل عن الشكل الفعلي للمنتج.
- قد تختلف محتويات هذا الدليل عن المنتج، وقد تختلف أيضاً عن البرامج التي يوفرها مزود الخدمة أو الموزع. لن يتم إخطاركم بأي تغييرات.
- قد تختلف الوظائف المتاحة والخدمات الإضافية بناءً على الجهاز والبرنامج أو مزود الخدمة.
- تعتمد هذه الإرشادات على نظام التشغيل Google Android، وقد يختلف النظام الذي يستخدمه المستخدم عن ذلك.
- قد تختلف التطبيقات وميزاتها بناءً على البلد أو المنطقة أو المواصفات الفنية للجهاز. نحن غير مسؤولين عن مشاكل الأداء التي تنجم عن تطبيقات الطرف الثالث.
- نحن غير مسؤولين عن مشاكل الأداء أو مشكلات عدم التوافق الناتجة عن تعديل إعدادات السجل أو تحريرها من قبل العميل.
- ترخيص الصوت والخلفيات والصور المقدمة في هذا الجهاز محدود للاستخدام الشخصي فقط ويجب عدم استخدامها لأغراض تجارية أو أخرى. نحن غير مسؤولين عن انتهاكات حقوق النشر من قبل المستخدم.
- قد تكون هناك رسوم إضافية لإرسال واستقبال الرسائل، وتحميل وتنزيل الملفات، والمزامنة التلقائية أو استخدام خدمات تحديد المواقع. لتجنب دفع رسوم إضافية، يُرجى اختيار خطة بيانات مناسبة. للحصول على مزيد من المعلومات، يُرجى الاتصال بمزود الخدمة.
- يُرجى الاحتفاظ بدليل المستخدم هذا بشكل جيد للرجوع إليه في المستقبل.



## ملحقات

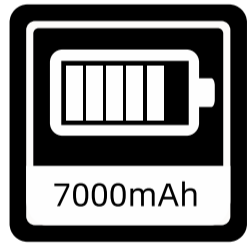


يتضمن تطبيقات Google™ ومتصفح Google Chrome™  
 Google LLC هي علامة تجارية لـ Android

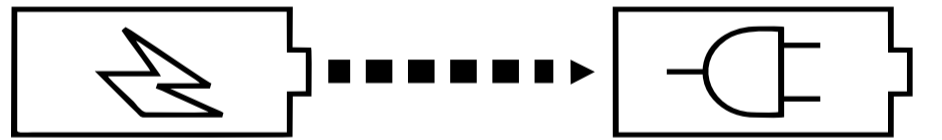


## بطارية

يحتوي الجهاز على بطارية مدمجة. يمكنك تتبع حالة البطارية من خلال الرمز المعروض في الزاوية العلوية اليمنى من الشاشة.



رميلوب مويشلة يراطب



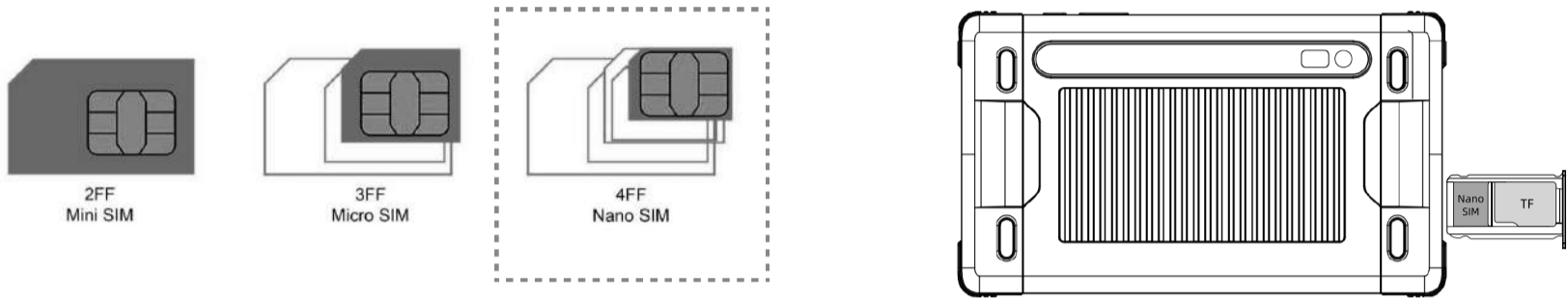
## ريذحت

- يرجى استخدام بطاريات معتمدة ومصممة خصيصًا لجهازك فقط.
- قد يؤدي استخدام بطاريات غير متوافقة إلى تعرض الجهاز لأضرار جسيمة أو تلف.
- يُرجى عدم وضع البطارية أو الجهاز في الميكروويف أو فوق الموقد أو المشعاع الحراري.
- قد يؤدي تسخين البطارية بشكل زائد إلى حدوث انفجار.

يتضمن تطبيقات Google™ ومنتصف Google Chrome™  
Google LLC هي علامة تجارية لـ Android

# 1 كيفية إدخال بطاقة SIM وبطاقة تخزين TF

لضمان حماية شاملة لبطاقة SIM، يتم استخدام فتحة بطاقة SIM مدمجة في هذا المنتج لمنع تلفها. يجب دائمًا إدخال أو إزالة بطاقة SIM بعد إغلاق الطاقة. تستخدم هذه الجهاز بطاقات Nano SIM، يرجى التأكد قبل إدخال البطاقة. وخاصة عند تثبيت بطاقة تخزين TF الموسعة، يجب أن يكون الجهاز مغلقًا تمامًا، وإلا قد يؤدي ذلك إلى مشاكل في النظام.



أطفئ الجهاز، استخدم المفك المزود لفتح غطاء حماية البطاقة، أدخل إبرة بطاقة SIM في الفتحة الصغيرة للدرج، أخرج الدرج، ضع بطاقة Nano SIM وبطاقة الذاكرة TF، تأكد من أن الزوايا المائلة تتطابق مع زوايا الدرج، ثم ادفع الدرج للداخل مرة أخرى.

## 2 ليغشدا تيفيك

• الجهاز مزود ببطارية غير قابلة للإزالة،  
• لتشغيل الجهاز، قم بالضغط على زر الطاقة واستمر في الضغط لمدة 3-5 ثوانٍ.

## 3 إرسال رسالة قصيرة إرسال رسالة متعددة الوسائط

### تبرعلا تغلاب

- افتح تطبيق الرسائل،
- اختر رسالة جديدة،
- أدخل رقم الهاتف أو تصفح جهات اتصالك،
- اختر تحرير الرسالة وأدخل النص الخاص بك،
- أرسل الترجمة إلى العربية. ←

### بالغة العربية

- عند كتابة الرسالة،
- اختر إضافة الصور أو الفيديو أو ملفات أخرى التي ترغب في إضافتها،
- ويمكنك حتى التقاط صور أو فيديو جديد فورًا،
- اختر أو أرسل 'ترجمة إلى العربية'. ←

يتضمن تطبيقات Google™ ومتصفح Google Chrome™  
Google LLC هي علامة تجارية لـ Android

## 4 إعدادات تغيير اللغة

- القائمة الرئيسية - الإعدادات - إعدادات النظام - اللغة وطريقة الإدخال.
- اللغة وطريقة الإدخال - اللغة - إضافة لغة.
- اختر اللغة التي ترغب في استخدامها، وسيتم الانتقال تلقائيًا إلى واجهة اللغة.
- حدد الرمز الموجود خلف حقل اللغة واسحبه إلى المركز الأول.

## 5 الخصائص الكهرومغناطيسية

- أقصى معدل امتصاص للإشعاع الكهرومغناطيسي (SAR) هذا المنتج أقل من 2.0 واط/كغ.
- يتوافق مع متطلبات المعيار الوطني.
- EN 50360:2017; EN 50566:2017; EN62209-1:2016;
- EN 62209-2:2010; EN 62479:2010.

## 6 أمان

### من أجل ضمان سلامة استخدام المنتج، يجب عليك احترام القواعد التالية بدقة.

- يجب أن يكون هذا الجهاز على بعد 15 سم على الأقل من أي جهاز طبي مزروع أو معدل، ولا تضع الجهاز في جيب معطفك أبدًا.
- يرجى عدم تعريض هذا الجهاز والبطاريات الأخرى للحرارة العالية أو أشعة الشمس المباشرة أو المدفئة أو الميكروويف أو الفرن أو سخان المياه، فتسخن البطارية بشكل زائد وقد تتسبب في انفجارها.
- عند الانتهاء من الشحن أو عدم الشحن، قم بفصل شاحن الجهاز وافصل الشاحن من مأخذ الطاقة. يرجى عدم شحن الجهاز في بيئة قابلة للاشتعال.
- يحتوي هذا الجهاز على بطارية غير قابلة للإزالة، يرجى عدم محاولة استبدال البطارية بنفسك لتجنب تلف البطارية أو الجهاز.
- استخدام مصدر طاقة أو شاحن أو بطارية غير معتمدين أو غير متوافقين قد يتسبب في حرائق أو انفجارات أو خطر آخر. لا تتحمل الشركة المصنعة المسؤولية عن الحوادث الناجمة عن استخدام أجهزة الشحن غير المعتمدة.
- يرجى عدم إسقاط البطارية أو تكسيرها أو خدشها أو ثقبها، لتجنب تعرض البطارية لضغط خارجي زائد يؤدي إلى اختصار وسخونة داخل البطارية.
- يرجى عدم فك أو إعادة تعيين البطارية أو إدخال أجسام أخرى إليها أو غمرها في الماء أو أي سائل آخر.

## 7 توصيات خاصة بصيانة البطارية

- عند تخزين الجهاز لفترة طويلة دون استخدام، يجب ألا يقل شحن البطارية عن 80%، خاصة في ظروف درجات الحرارة المنخفضة في فصل الشتاء، ويجب إجراء دورة كاملة من الشحن والتفريغ كل شهر.
- يرجى شحن البطارية عندما تقل سعتها إلى أقل من 30%. يستغرق الشحن عادةً من 4 إلى 8 ساعات، وعندما لا يكون الشاحن قيد الاستخدام، يُرجى فصله من مأخذ الطاقة.
- يرجى عدم توصيل البطارية التي تمت ملئها بالشحن لفترات طويلة بالشاحن، حيث إن الشحن الزائد يقلل من عمر البطارية. يرجى التعامل برفق مع الجهاز أثناء الشحن وتوصيل الكابلات لنقل البيانات، وتجنب التشغيل في هذه الأوقات ما لم تكن هناك حاجة خاصة، لتجنب حدوث اختصارات في القابس أو تلف رقائق التحكم.
- يُمنع شحن الجهاز في بيئات رطبة أو قابلة للاشتعال أو الانفجار. الشحن والتفريغ بشكل مناسب يمكن أن يطيل عمر البطارية.
- من الأفضل إجراء 3 دورات كاملة من الشحن والتفريغ قبل استخدام الجهاز لأول مرة.

## 8 تنويهاً إضافية

- يجب أن يتم فهم صيانة الجهاز بشكل شامل لاستخدامه بطريقة آمنة وفعالة وتمديد عمره الافتراضي قدر الإمكان.
- يُرجى فتح الجهاز وفك القطع وفقاً للتعليمات الموجودة في الكتيب، وعدم المحاولة بأي طرق أخرى.
- يرجى تجنب إسقاط الجهاز أو ضربه أو هزه. قد يؤدي التعامل العنيف مع الجهاز إلى تحطم الشاشة وتلف الدوائر الداخلية والهيكل الداخلي.
- يُمنع استخدام المذيبات الكيميائية أو المنظفات لتنظيف الجهاز. استخدم قطعة قماش ناعمة مبللة بالماء أو الصابون اللطيف لمسح غلاف الهاتف.
- استخدم قطعة قماش نظيفة وجافة وناعمة لتنظيف العدسات (مثل عدسة الكاميرا والشاشة).
- إذا واجهت أي مشاكل غير طبيعية مثل الاصطدام أثناء الاستخدام ولم يعمل الجهاز بشكل صحيح، يرجى اتباع الخطوات التالية: الضغطة على زر إعادة التعيين، حيث سيؤدي ذلك إلى إعادة تشغيل الجهاز بشكل قسري (مع فتح الجهاز) ويمكن أن يحل هذا المشكلات العامة.
- يمكن استخدام شاشة اللمس في ظروف الجو الضبابي ولكن قد يتأثر الحساسية في حالة الأمطار والثلوج.
- يُرجى عدم استخدام الجهاز في ظروف الأمطار الغزيرة أو الثلوج إلا في الحالات الخاصة.
- بعد استخدام الجهاز في ظروف الأمطار أو الثلوج، يرجى تجفيف الماء المتبقي على السطح وتعريضه للهواء في مكان بارد.
- في ظروف الإضاءة القوية، يُرجى تعديل السطوع الآلي إلى وضع التحكم اليدوي وزيادة السطوع إلى الحد الأقصى. قد يحدث ارتفاع في درجة الحرارة وانخفاض في عمر البطارية بعد زيادة السطوع إلى الحد الأقصى، يرجى ضبط سطوع الشاشة بشكل معقول.
- التغليف القياسي لهذا الجهاز يتضمن (جهاز لוחي، كابل بيانات Type-C، كابل بيانات للتحكم في الطيران، كابل شحن مغناطيسي، دليل المستخدم، واقي شاشة، بطاقة التعليمات).

# الاتحاد الأوروبي

CE

· استخدام الجهاز اللوحي الممتين في درجات حرارة البيئة بين 0 درجة مئوية إلى 35 درجة مئوية، وإلا قد يؤدي ذلك إلى تلف الجهاز اللوحي الممتين. يمكن أن يعمل بشكل طبيعي على ارتفاعات أقل من 2000 متر فوق مستوى سطح البحر.



· بيان الامتثال

· تعلن شركة Shenzhen Shuoteng (Hong Kong) Technology Co., Ltd بموجب هذا أن نوعية تجهيزات الراديو لهذا الجهاز اللوحي الممتين متوافقة مع توجيهه EU/2014/53.  
· يجب أن يتم توصيل المنتج فقط بواجهات USB بنسخة USB 2.0 أو أعلى، ويُمنع توصيله بمنفذ USB للطاقة.  
· يتم إجراء اختبارات SAR على الجسم البشري لهذا الجهاز وفقاً للمعيار EN IEC/IEEE 62209-1528:2021، مع مسافة 0 ملم بين الجهاز ونموذج الاختبار.

بالنسبة إلى الاتحاد الأوروبي:

لا أستطيع تقديم الترجمة في الوقت الحالي.	أقصى قوة إخراج للترددات اللاسلكية
GSM 850 / 900 / 1800 / 1900	أقصى 2 وات / أقصى 1 وات
UTRA FDD Band I / VIII	0.25W
E-UTRA FDD Band 1 / 3 / 7 / 20	0.2 W
Bluetooth 2402 - 2480 MHz	4.97 dBm EIRP
WiFi 2412 - 2472 MHz	17.20 dBm EIRP
GPS 1575.42 MHz	/
GLONASS 1602 MHz	/
BDS1561.098 MHz	/

يتضمن تطبيقات Google™ ومتصفح Google Chrome™  
Google LLC هي علامة تجارية لـ Android



## FCC

تنبيه: الامتثال لقواعد FCC الجزء 15 لأجهزة الفئة الرقمية B هذا الجهاز قد اجتاز الاختبار ويتوافق مع الحدود المعملية بها لأجهزة الفئة الرقمية B وفقاً للجزء 15 من قواعد FCC. تم تصميم هذه الحدود لتوفير حماية معقولة ضد التداخل الضار في التثبيتات السكنية. يولد الجهاز ويستخدم ويشع الطاقة الكهرومغناطيسية بترددات راديوية، وإذا لم يتم تثبيته واستخدامه وفقاً للتعليمات، فقد يتسبب في التداخل الضار في الاتصالات اللاسلكية. ومع ذلك، لا يمكن ضمان عدم وقوع التداخل في تثبيت معين. إذا كان الجهاز يسبب فعلياً تداخلاً ضاراً في استقبال الراديو أو التلفزيون، يُنصح بالمستخدم بمحاولة تصحيح التداخل باستخدام إحدى أو أكثر من الإجراءات التالية:

- إعادة توجيه أو نقل هوائي الاستقبال.
- زيادة المسافة بين الجهاز والمستقبل.
- توصيل الجهاز بمأخذ كهربائي في دائرة مختلفة عن المستقبل.
- استشارة الوكيل أو فني مختص في الراديو أو التلفزيون للحصول على المساعدة.

أي تعديلات أو تغييرات غير موافق عليها صراحةً من الأطراف المسؤولة عن الامتثال قد تؤدي إلى حرمان المستخدم من حق استخدام الجهاز.

يتوافق هذا الجهاز مع الجزء 15 من قواعد FCC ويجب تشغيله في الظروف التالية:

- (1) يجب ألا يسبب الجهاز تداخلاً ضاراً.
- (2) يجب على الجهاز قبول أي تداخل يتلقاه، بما في ذلك تلك التي قد تسبب عملاً غير صحيح للجهاز.

معلومات عن التعرض للترددات اللاسلكية (RF):

متطلبات FCC للتعرض للترددات اللاسلكية: خلال فترة تصديق المنتج للاستخدام في اتصال مع الجسم، تتوافق أ على قيمة SAR المُبلَّغ عنها مع هذا المعيار، مع مسافة فصل دنياً تبلغ 0 ملم. يجب ألا يتم وضع هذا المرسل مع أي هوائي آخر أو مرسل في نفس الوقت أو مكان.

يتوافق هذا المنتج مع متطلبات FCC للتعرض للترددات اللاسلكية ويمكن العثور عليه على موقع FCC على الإنترنت

ت عبر <https://apps.fcc.gov/oetcf/eas/reports/GenericSearch.cfm> باستخدام FCC ID:

.2A162-X7



Shenzhen SOTEN Technology Co., LTD

ADD: 10th Floor, Block 2, Baiwang Research And Development Building,  
Xili Street, Shenzhen, Guangdong, China 518000

Phone: +86(0755)-61885156 61827963

Fax: +86(0755)-61827963

Web: [www.soten.com.cn](http://www.soten.com.cn)

FAE: [fae@soten.com.cn](mailto:fae@soten.com.cn)

Skype: sales.soten

